



Twin Bag

Design & Work: Kokka Fabric

Size: about 48cm (l)
 about 44cm (w)
 about 8cm (gusset)
 (excludes handles)

Materials

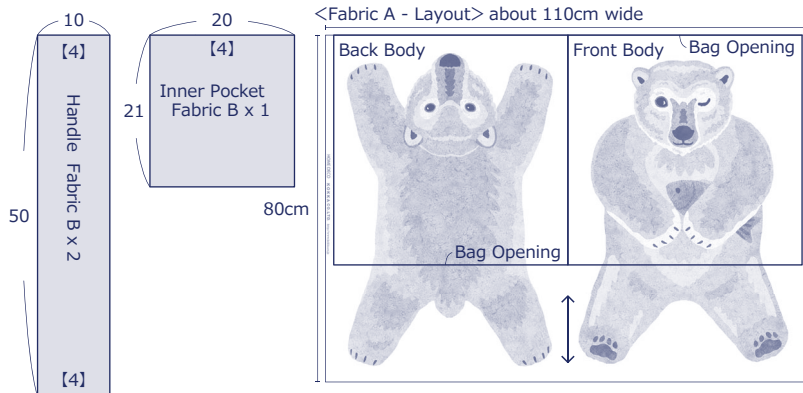
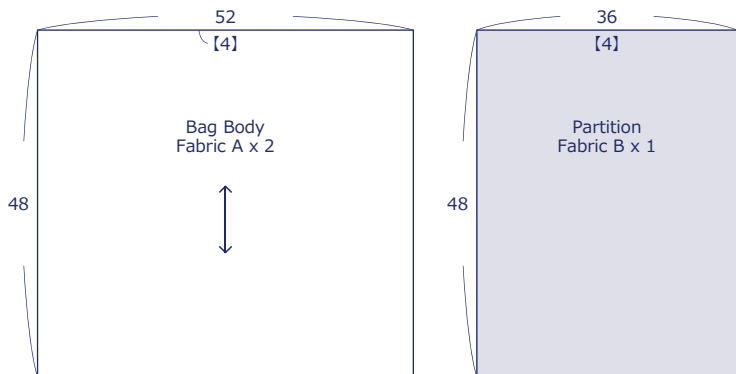
- Fabric A (With Pattern): about 110cm wide x 80cm
- Fabric B (Solid): about 110cm wide x 70cm

Fabric shown for this sample: YGC-56020-1C

Pattern and Cutting Layout

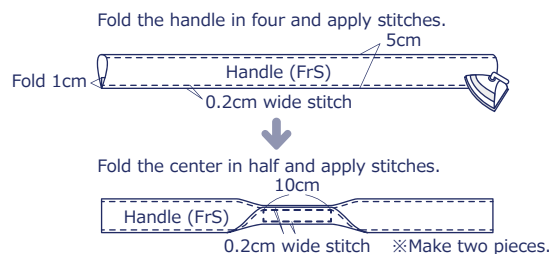
Unit: cm [] : Seam Allowance

Add 1cm seam when cutting the fabric unless otherwise specified.

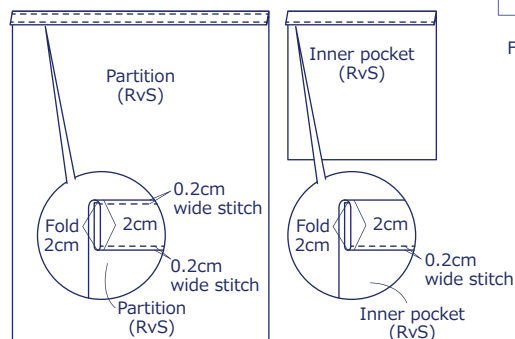


Instructions Front Side - (FrS), Reverse Side (RvS)

1. Make the handle

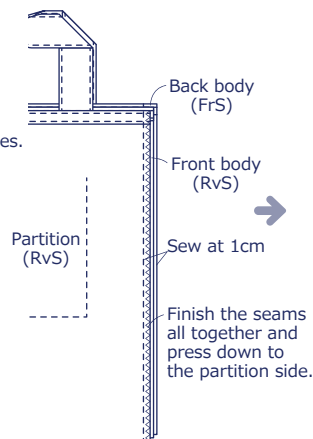


3. Fold the opening side of the partition and inner pocket opening and apply stitches



5. Sew together the body and partition

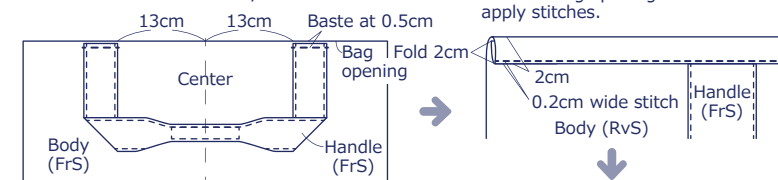
Layer the partition, front body and back body and sew together at the sides.



※Repeat the same process on the other side.

2. Sew together the bag body and handle

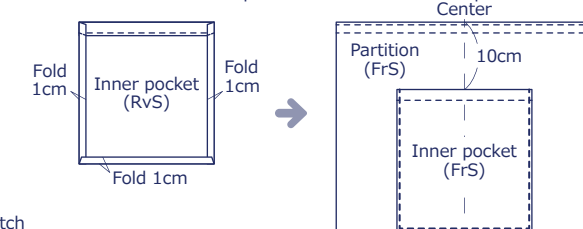
Baste the handle to the body.



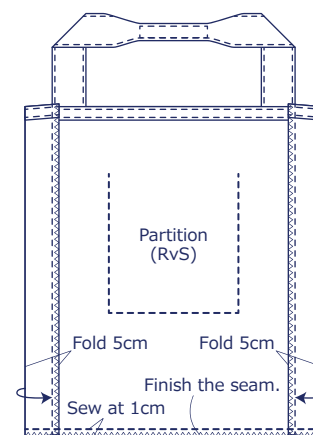
4. Sew together the partition and inner pocket

Fold the seam of the inner pocket.

Attach the inner pocket to the partition.



Fold the gusset on the body and sew the bottom.



6. Turn it inside out and align the shape to finish

