



Lunch Bag

Design & Work: Kokka Fabric

Size: about 25cm (l)
about 30cm (w)
about 12cm (d)

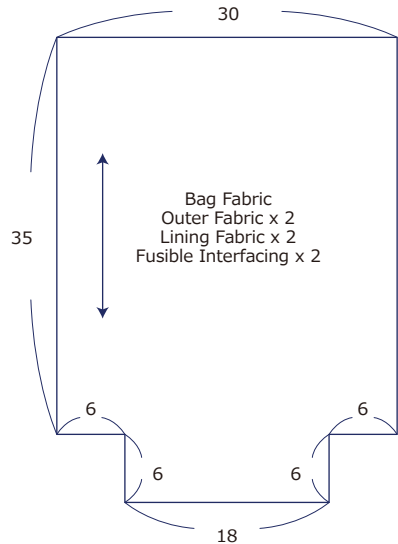
Materials

- Outer Fabric: about 110cm wide x 50cm
- Lining Fabric: about 110cm wide x 50cm
- Fusible Interfacing (heavy weight): about 110cm wide x 50cm
- Tape: about 25mm wide x 20cm
- Buckle: about 25mm wide x One piece
- Velcro: about 25mm wide x 5cm

Fabric shown for this sample: YPA-36010-2C

Pattern and Cutting Layout

Unit: cm Numbers in () denote seam allowance.
Add 1cm seam allowance unless specified otherwise.



※Adhere fusible interfacing on the back of the outer bag fabric.

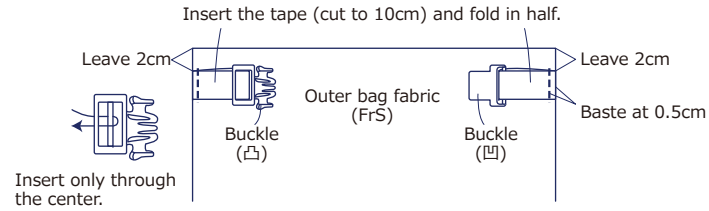
have fun with KOKKA fabric! produced by KOKKA

kokka-fabric.com

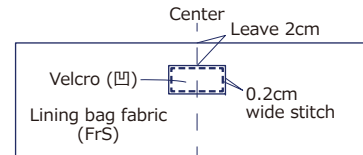
The craft projects and works featured in kokka-fabric.com are strictly for personal use and enjoyment. Please refrain from selling handmade items using the same exact design (including the pieces made in different fabrics) featured in kokka-fabric.com.

Instructions Front Side - (FrS), Reverse Side (RvS)

1. Baste the tape and buckle onto the outer bag fabric

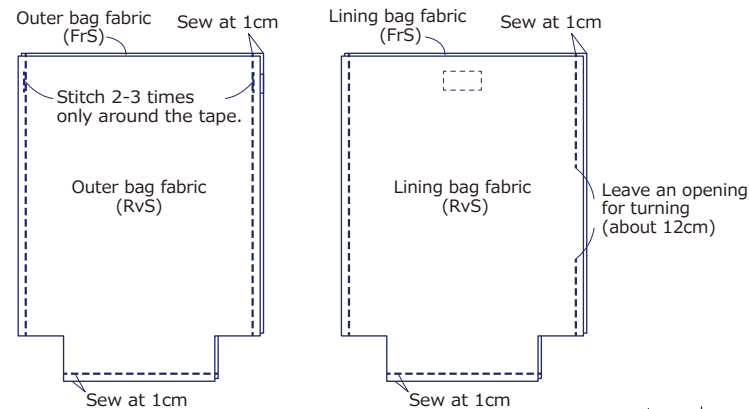


2. Attach Velcro on the lining bag fabric

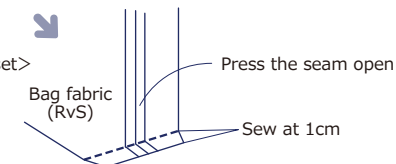


※Attach Velcro (凸) on the other piece of the lining bag fabric.

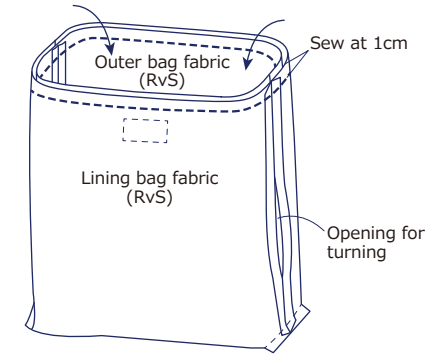
3. With the front sides facing each other, sew together the bag fabrics at the sides, bottom and gusset



<How to sew gusset>



4. With the front sides facing each other, sew together the outer bag fabric and lining bag fabric at the bag opening



5. Turn the bag inside out. Apply stitches around the top opening to finish

