



Long Sleeve Shirt Style Dress

Design & work: Kokka Fabric

Size: M

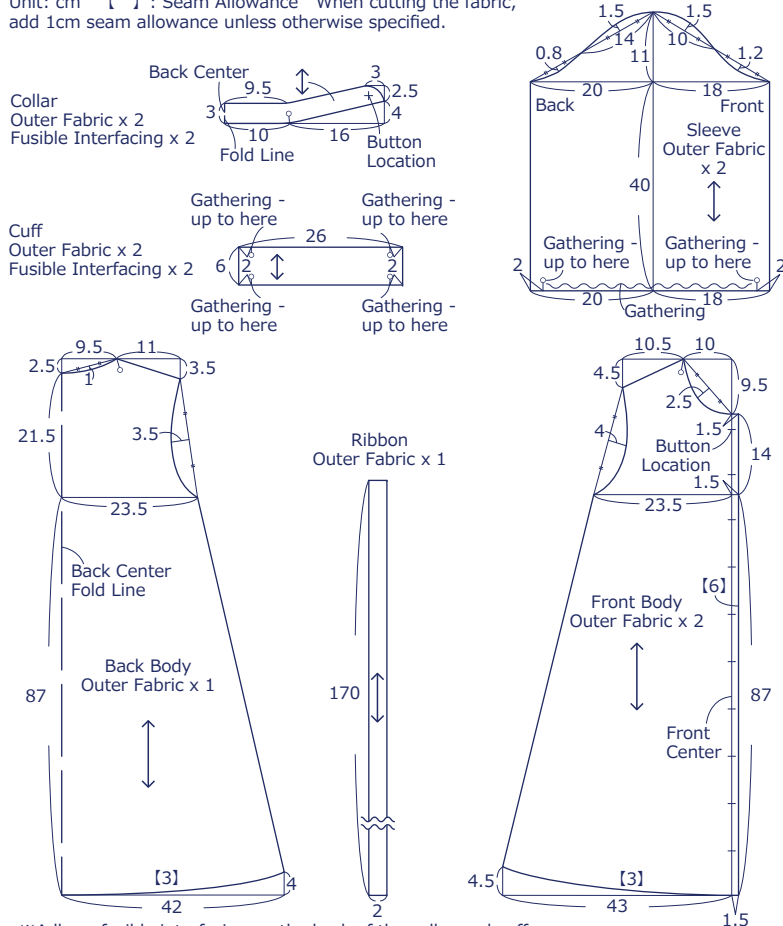
Materials

- Outer Fabric: about 110cm wide x 300cm
- Fusible Interfacing (light weight): about 90cm wide x 20cm
- Button: about 11.5mm x Eleven pieces

Fabric shown for this sample: YKA-96060-1B

Pattern and Cutting Layout

Unit: cm [] : Seam Allowance When cutting the fabric, add 1cm seam allowance unless otherwise specified.

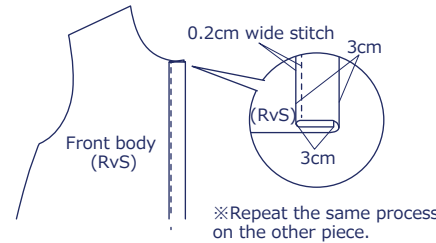


※Adhere fusible interfacing on the back of the collar and cuff.

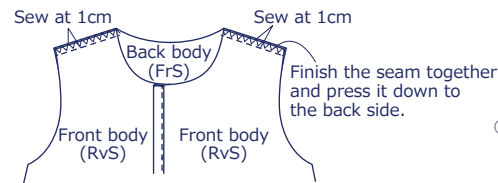
The craft projects and works featured in kokka-fabric.com are strictly for personal use and enjoyment. Please refrain from selling handmade items using the same exact design (including the pieces made in different fabrics) featured in kokka-fabric.com.

Instructions Front Side - (FrS), Reverse Side (RvS)

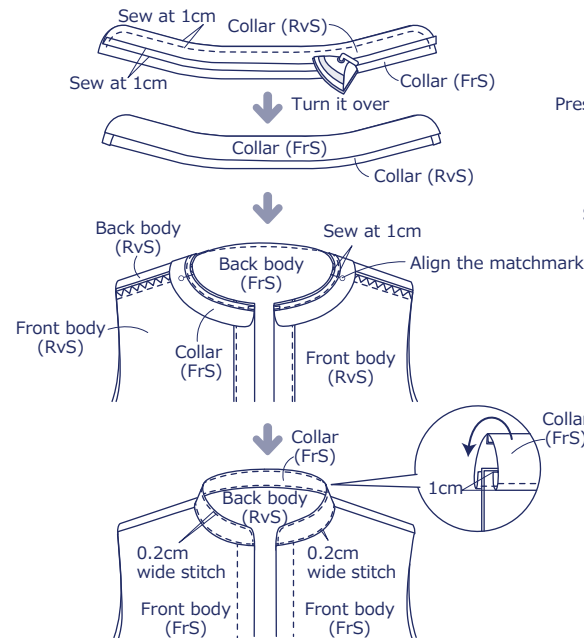
1. Fold the front end in three and sew



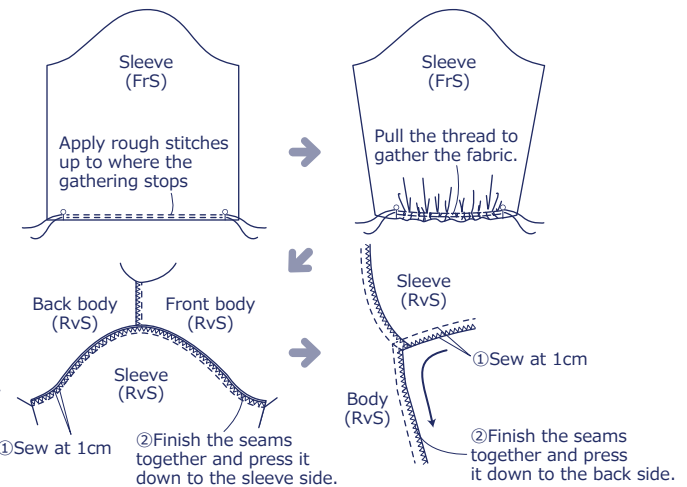
2. With the front sides facing each other, sew together the front and back bodies at the shoulder



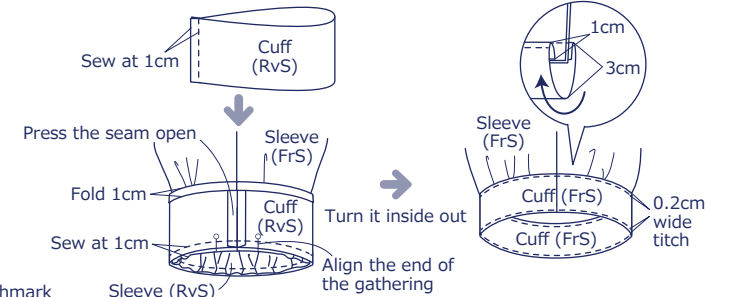
3. Make a collar and sew together with the body



4. Gather a sleeve fabric and sew together with the body



5. Attach the cuff to the sleeve



6. Make a ribbon. Fold the hem in three and apply stitches. Make button holes and attach buttons on the front end (placket) to finish

