



Mini Backpack

design & work: Mioko Sugino

Size: 11cm (l)
13cm (w-opening side) 8cm (bottom)
5cm (gusset)

have fun with KOKKA fabric! produced by KOKKA

kokka-fabric.com

The craft projects and works featured in kokka-fabric.com are strictly for personal use and enjoyment. Please refrain from selling handmade items using the same exact design (including the pieces made in different fabrics) featured in kokka-fabric.com.

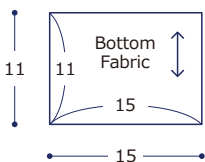
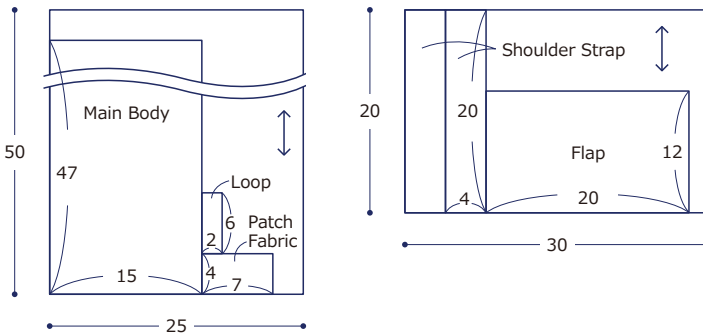
Materials (for one backpack)

- Fabric (Main Body, Loop, Patch Fabric): 25cm×50cm
(Bottom Fabric): 15cm×11cm
(Flap, Shoulder Strap): 30cm×20cm
(If using the fabric in the sample: 110cm wide x 50cm)
- Waxed Cord/String: 0.1cm diameter x 80cm
- Snap: 1cm diameter x One pair

Fabric shown for this sample: YKA-99090-3D

Pattern and Cutting Layout

Unit: cm All raw edge



※If using the fabric in the sample, use this pattern to incorporate each design when cutting.

Instructions Front Side - (FrS), Reverse Side (RvS)

1. Make the shoulder strap

With the front sides facing outside, fold in four and sew.
• Make two pieces.

2. Make the main body

①With the front sides facing each other, sew together the body and bottom fabric with the shoulder strap in between.
※Shoulder strap stitch lines are not shown.

3. Make the flap

①Fold the long end.
②With the front sides facing outside, fold in four and sew.

4. Make the loop

With the front sides facing outside, fold in four and sew.

5. Finish the bag

①Fold the loop as shown. Layer it over the center of the flap attachment side. Place the shoulder strap on both sides and baste them together.
②Fold the long end of the patch fabric and place it over ①.
③Fold both sides of the patch fabric and sew it onto the main body.

6. Sew the gusset

⑥Sew the gusset.
⑦Hold the seam at the opening with the fabric adhesive.
• Repeat the process on the other side.

7. Turn it inside out

⑧Turn it inside out and align the shape. Insert the cord and sew the cord opening.

8. Attach the snap button

④Insert the cord (40cm each) and tie the end.
⑤Attach the snap button.

3. Make the flap

①Fold the long end.
②With the front sides facing outside, fold in four and sew.

4. Make the loop

With the front sides facing outside, fold in four and sew.

5. Finish the bag

①Fold the loop as shown. Layer it over the center of the flap attachment side. Place the shoulder strap on both sides and baste them together.
②Fold the long end of the patch fabric and place it over ①.
③Fold both sides of the patch fabric and sew it onto the main body.

6. Sew the gusset

⑥Sew the gusset.
⑦Hold the seam at the opening with the fabric adhesive.
• Repeat the process on the other side.

7. Turn it inside out

⑧Turn it inside out and align the shape. Insert the cord and sew the cord opening.

8. Attach the snap button

④Insert the cord (40cm each) and tie the end.
⑤Attach the snap button.