



# Lesson Bag

Design & work: Kokka Fabric

Size: about 30cm (l)  
 about 40cm (w)  
 about 4cm (gusset)  
 (Handles excluded)

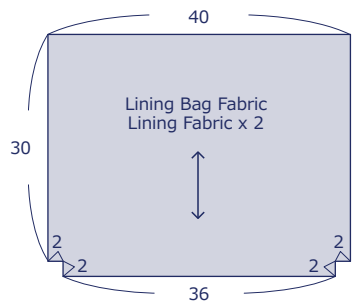
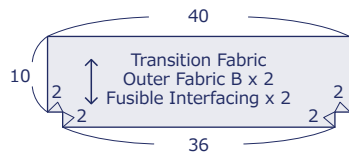
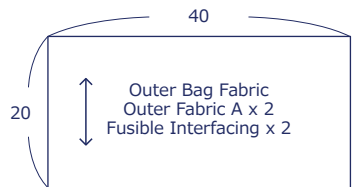
## Materials

- Outer Fabric A: about 110cm wide x 30cm
- Outer Fabric B: about 110cm wide x 20cm
- Lining Fabric: about 110cm wide x 40cm
- Fusible Interfacing (medium weight): about 90cm wide x 40cm
- Tape: about 25mm x 66cm

Fabric shown for this sample: YKA-99110-1C

## Pattern

Unit: cm Add 1cm seam allowance when you cut the fabric.

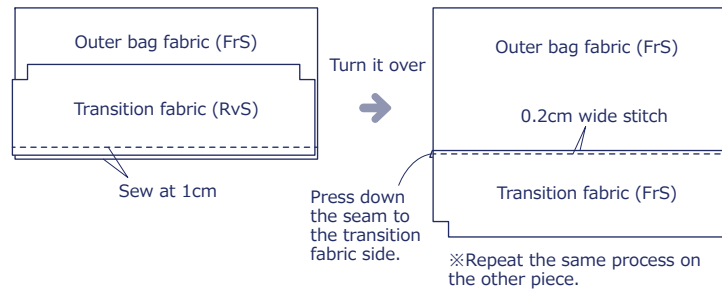


※Adhere fusible interfacing on the back of outer fabrics.

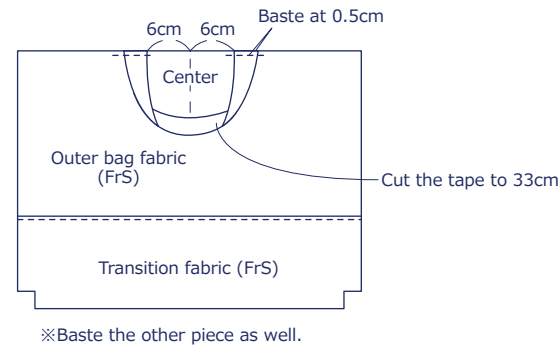
The craft projects and works featured in kokka-fabric.com are strictly for personal use and enjoyment. Please refrain from selling handmade items using the same exact design (including the pieces made in different fabrics) featured in kokka-fabric.com.

## Instructions Front Side - (FrS), Reverse Side (RvS)

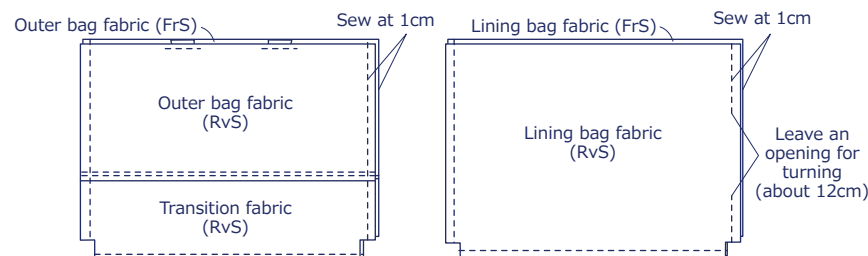
1. With the front sides facing each other, sew together outer bag fabric and transition fabric



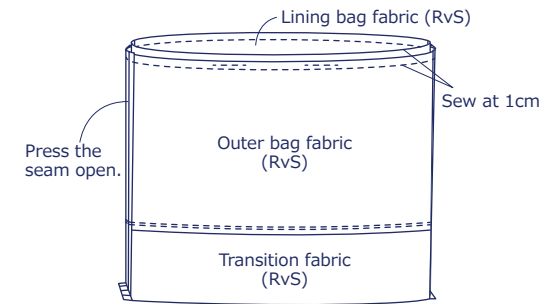
2. Baste the tape to the outer bag fabric



3. With the front sides facing each other, sew together the outer bag fabric and lining bag fabric at the side, bottom and sew the gusset



4. With the front sides facing each other, sew together the outer and lining bags at the top opening



5. Turn it inside out. Apply stitches around the opening to finish.



### <How to sew gusset>

