



Cell Phone Purse

design & work: Mioko Sugino

Size: 18cm (l) 12cm (w) 4cm (d)

have fun with KOKKA fabric! produced by KOKKA

kokka-fabric.com

The craft projects and works featured in kokka-fabric.com are strictly for personal use and enjoyment. Please refrain from selling handmade items using the same exact design (including the pieces made in different fabrics) featured in kokka-fabric.com.

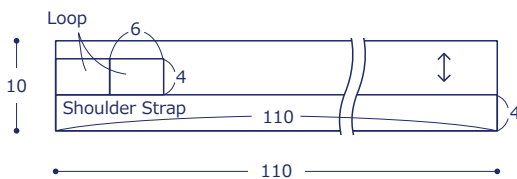
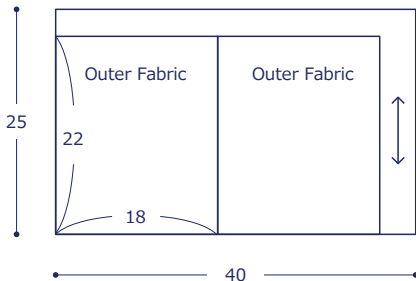
Materials

- Fabric (Outer Fabric): 40cm x 25cm
(Lining Fabric): 18cm x 42cm
(Shoulder Strap, Loop): 110cm x 10cm
- Leather Tape: 1.5cm wide x 40cm
- D Ring, Swivel Hook: 1.2cm (inner diameter) x 2 pieces each
- Rivet: 0.9cm diameter x four pairs

Fabric shown for this sample: (Outer Fabric) YKA-99080-5A

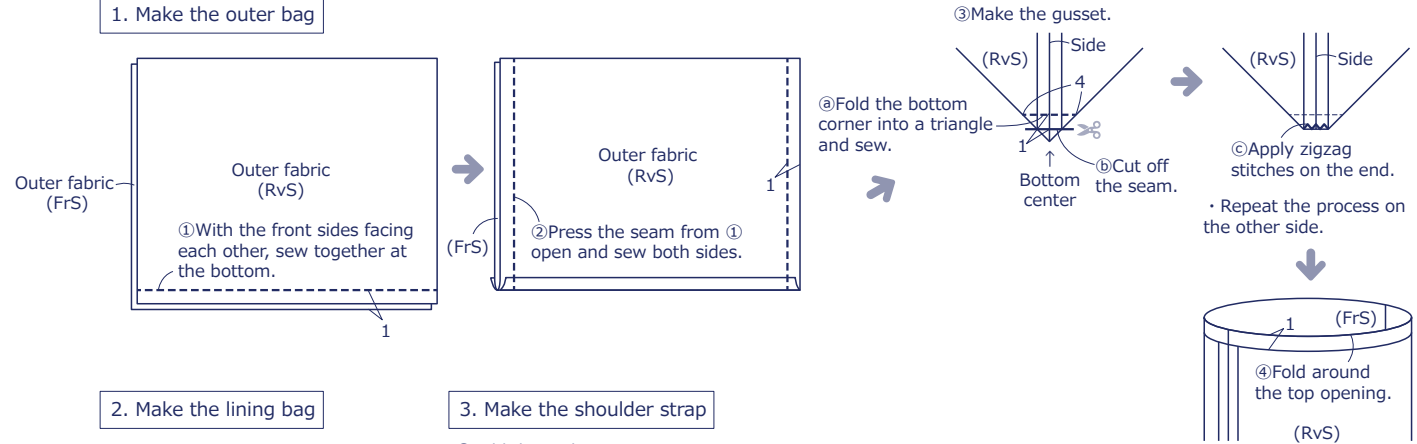
Pattern and Cutting Layout

Unit: cm All raw edge

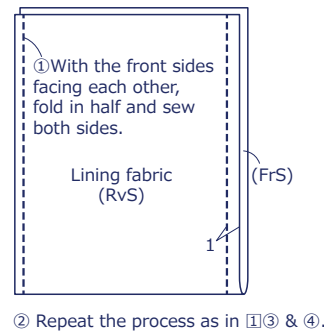


Instructions Front Side - (FrS), Reverse Side (RvS)

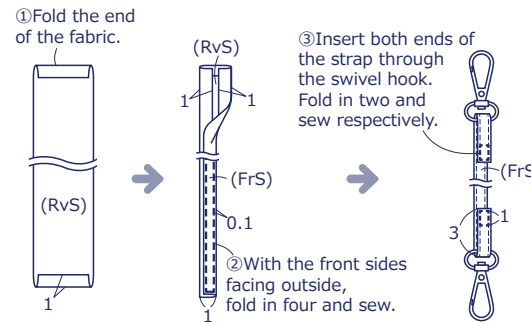
1. Make the outer bag



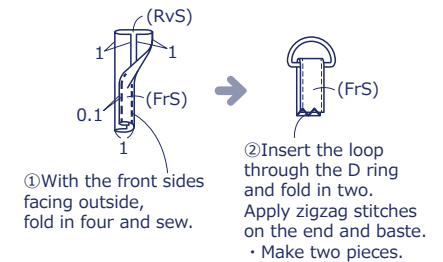
2. Make the lining bag



3. Make the shoulder strap



4. Make the loop



5. Finish the bag

- ① With the front sides facing outside, sew together the outer bag and lining bag at the top opening, with the loop placed in between.

