



Three Piece School Bag Set

Design & work: Kokka Fabric

Size: (Book Tote) about 30cm (l)
about 40cm (w) about 4cm (d)
(Shoe Case) about 30cm (l)
about 23cm (w) about 4cm (d)
(PE Uniform Bag) about 38cm (l)
about 32cm (w) (excludes handles)

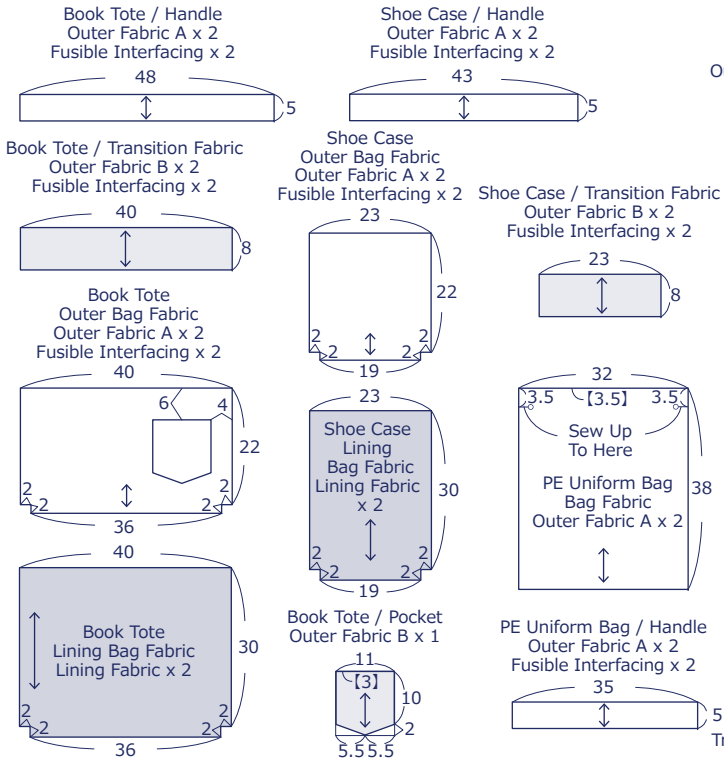
Materials

- Outer Fabric A: about 110cm wide x 90cm
- Outer Fabric B: about 110cm wide x 30cm
- Lining Fabric: about 110cm wide x 80cm
- Fusible Interfacing (medium weight): about 90cm wide x 100cm
- Round Cord (medium): 160cm

Fabric shown for this sample: YKA-99000-1B

Pattern

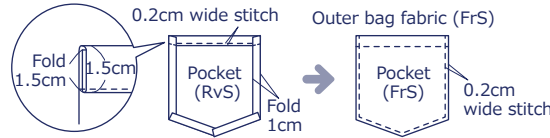
Unit: cm [] : Seam Allowance
Add 1cm seam when cutting the fabric unless otherwise specified.



※Adhere fusible interfacing on the back of the outer bag fabric, handle and transition fabric.

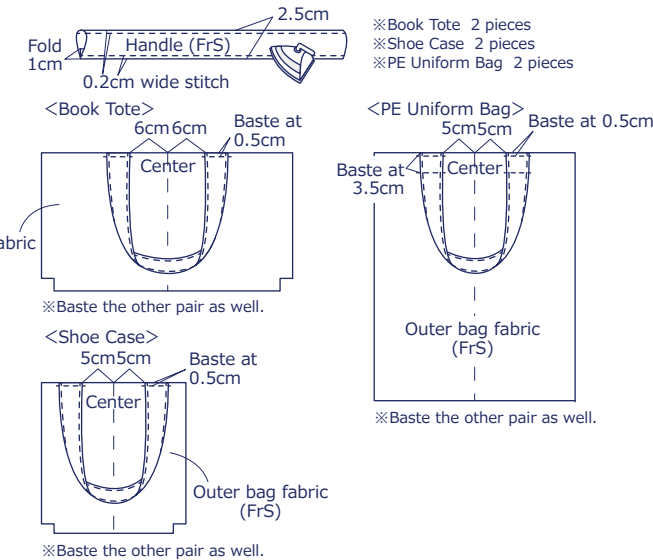
Instructions Front Side - (FrS), Reverse Side (RvS)

1. Make the pocket of the book tote and attach it to the outer bag fabric

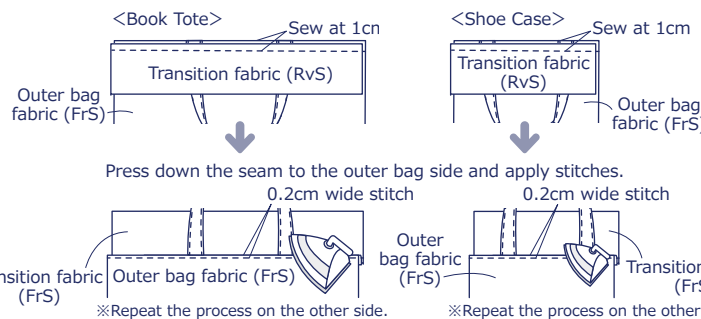


2. Make the handle and baste to the outer bag fabric

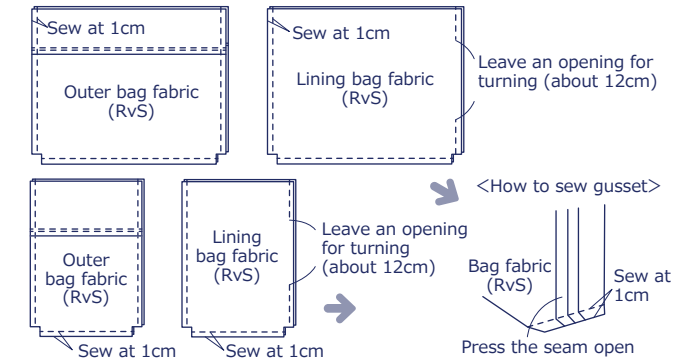
Fold to the finished size and apply stitches on both long ends.



3. With the front sides facing each other, sew together the outer bag fabric and transition fabric



4. With the front sides facing each other, sew together the bag fabrics at the side, bottom and gusset



5. With the front sides facing each other, sew together the outer bag fabric and lining bag fabric at the top opening. Turn it inside out and apply stitches around the top opening to finish



6. Finish the seam of the PE uniform bag. With the front sides facing each other, sew the pieces together at the sides and bottom



7. Fold the bag's top opening in three and apply stitches. Turn it inside out and insert the round cord to finish

