



Single-Strap Bag

Design & work: Kokka Fabric

Size: about 37cm (l)
 about 41.5cm (w)
 about 11cm (d)
 (Shoulder strap excluded)

have fun with KOKKA fabric! produced by KOKKA

kokka-fabric.com

The craft projects and works featured in kokka-fabric.com are strictly for personal use and enjoyment. Please refrain from selling handmade items using the same exact design (including the pieces made in different fabrics) featured in kokka-fabric.com.

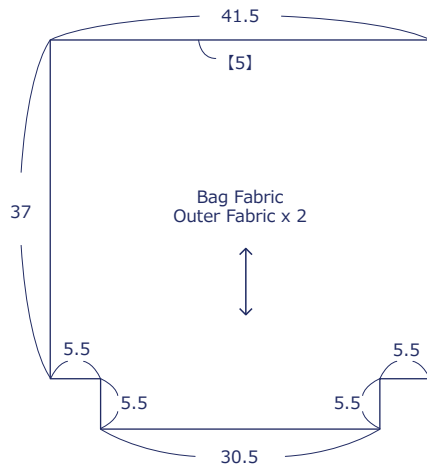
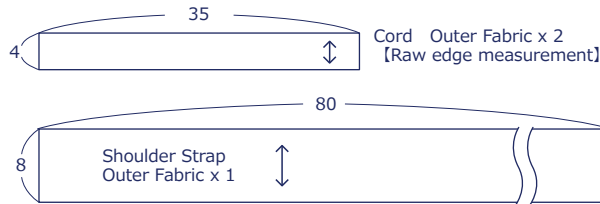
Materials

□ Outer Fabric: about 110cm wide x 70cm

Fabric shown for this sample: YKA-530-10

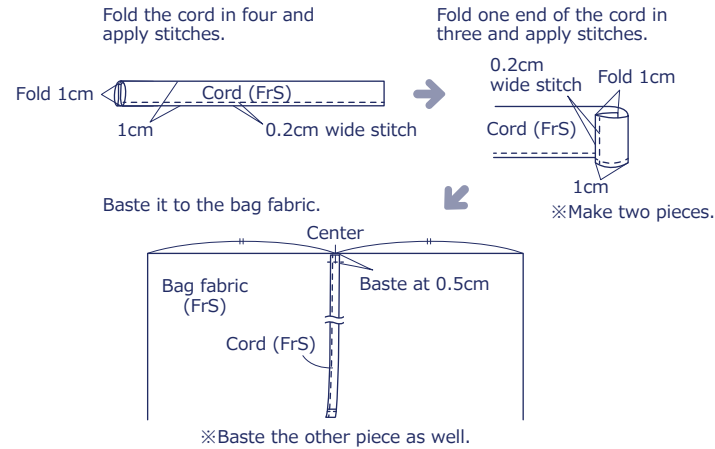
Pattern

Unit: cm [] : Seam Allowance
 Add 1cm seam when cutting the fabric unless otherwise specified.

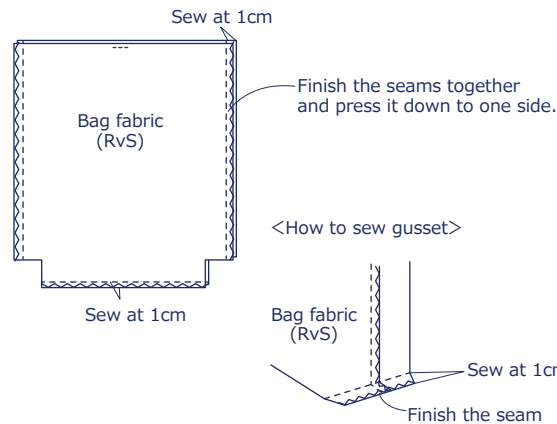


Instructions Front Side - (FrS), Reverse Side (RvS)

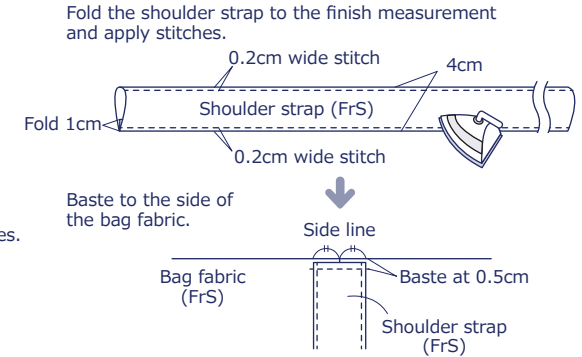
1. Make the cord and baste it to the bag fabric



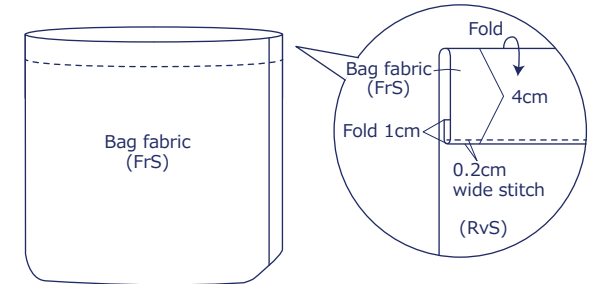
2. With the front sides facing each other, sew together the bag fabrics at the side, bottom and gusset



3. Make the shoulder strap and baste it to the bag fabric



4. Apply stitches around the bag opening



5. Pull up the shoulder strap and apply stitches to finish

