



Book Tote Style Bag

Design & work: Satomi Takei

Size: about 24cm (l)
about 32cm (w)
10cm (gusset)

have fun with KOKKA fabric! produced by KOKKA

kokka-fabric.com

The craft projects and works featured in kokka-fabric.com are strictly for personal use and enjoyment. Please refrain from selling handmade items using the same exact design (including the pieces made in different fabrics) featured in kokka-fabric.com.

Materials

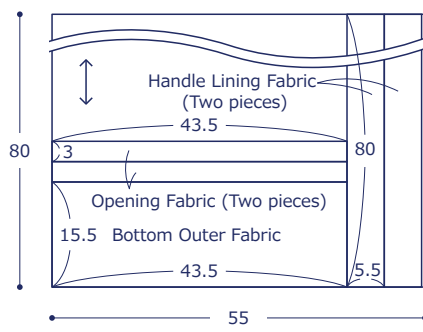
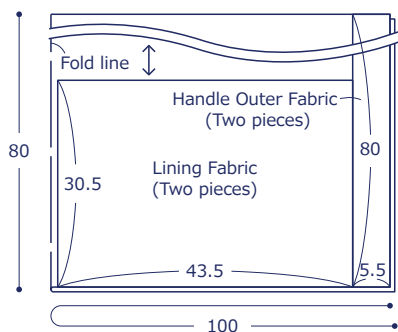
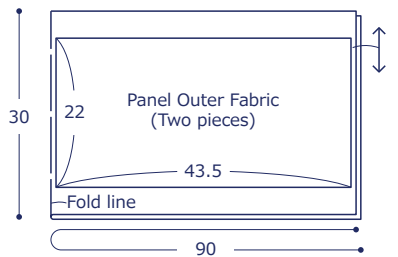
- Fabric (Outer Fabric): 90cm x 30cm
(Lining Fabric, Handle Outer Fabric): 100cm x 80cm
(Bottom Outer Fabric, Opening Fabric, Handle Lining Fabric (#9.5 Canvas)): 55cm x 80cm
- Fusible Interfacing: 90cm x 55cm
- Rivet: 0.7cm diameter x Eight pairs
- Tag: One piece

Fabric shown for this sample: (Panel Outer Fabric) YK-11030-1A
(Lining Fabric, Handle Outer Fabric) YK-11040-1B
(Bottom Outer Fabric, Opening Fabric, Handle Lining Fabric (#9.5 Canvas)) Beige

Pattern and Cutting Layout

Unit: cm All Raw Edge.

Adhere fusible interfacing on the back of the panel outer fabric and lining fabric.



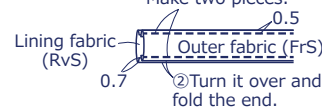
Instructions Front Side - (FrS), Reverse Side (RvS)

1. Make the handle

①With the front sides facing each other, sew together the outer and lining fabrics.



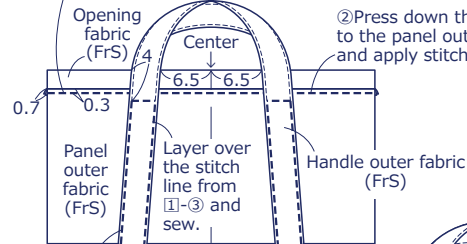
③Apply stitches
• Make two pieces.



②Turn it over and fold the end.

2. Make the outer bag

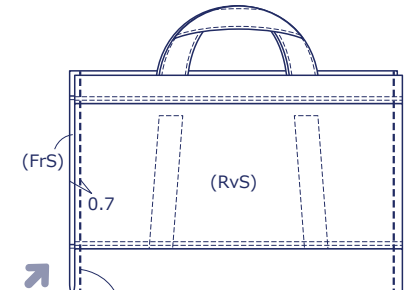
①With the front sides facing each other, sew together panel outer fabric and opening fabric.



③Attach the handle.
• Make two pieces.

②Press down the seam from ① to the panel outer fabric side and apply stitches.

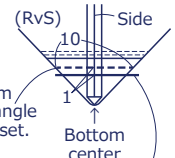
⑥Check the balance and attach the tag.



⑦With the front sides facing each other, fold in half and sew both ends.



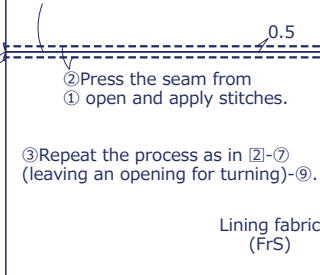
⑧Fold the bottom corner into a triangle and sew the gusset.



⑨Cut off excess seam.
• Repeat the process on the other side.

3. Make the lining bag

①With the front sides facing each other, sew together the lining fabrics at the bottom.



②Press the seam from ① open and apply stitches.

③Repeat the process as in ②-⑦ (leaving an opening for turning)-⑨.

4. Finish the bag

①With the front sides facing each other, sew together the outer bag and lining bag at the top opening. (avoid handles)



④Pinch the side and sew.
• Repeat the same process in four locations.

②Turn it inside out and apply stitches around the top. (avoid handles)

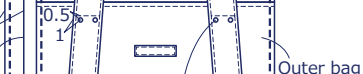


③Close the opening for turning.

⑤Fold the center of the handle in half. Sew along the stitch line from ①-③.



⑥Attach the rivet.
• Attach in all eight locations.



Sew up to here.