



Folded Bottom Shoulder Bag

Design & Work: Yuki Inomata

Size: about 37.5cm (l)
 about 32cm (w – excludes seam)
 17.6cm (gusset – bottom, excludes seam)
 about 48cm (handle)

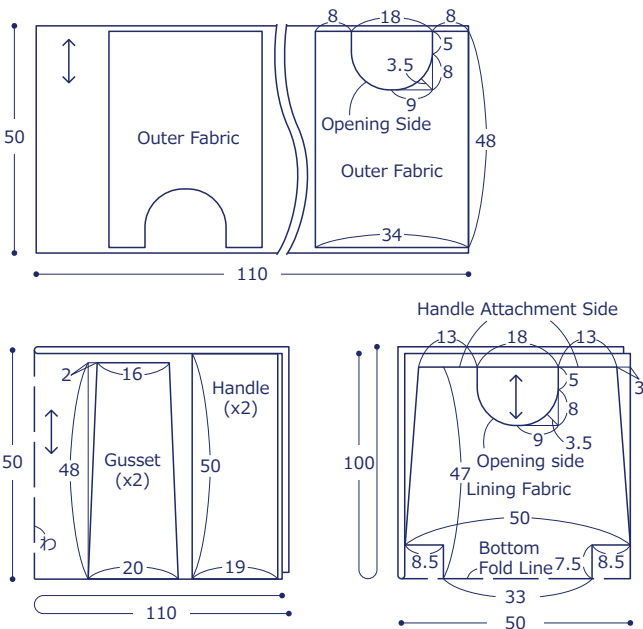
Materials

- Fabric (Outer Fabric): 110cm wide x 50cm
 (Gusset, Handle): 110cm wide x 50cm
 (Lining Fabric): 50cm x 100cm
- Tag: One Piece

Fabric shown for this sample: (Outer Fabric) YK-11040-2A
 (Gusset, Handle) YK-11040-1D
 (Lining Fabric) YK-11030-1E

Pattern and Cutting Layout

Unit: cm All raw edge.



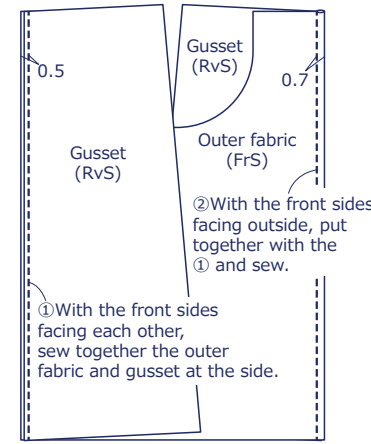
have fun with KOKKA fabric! produced by KOKKA

kokka-fabric.com

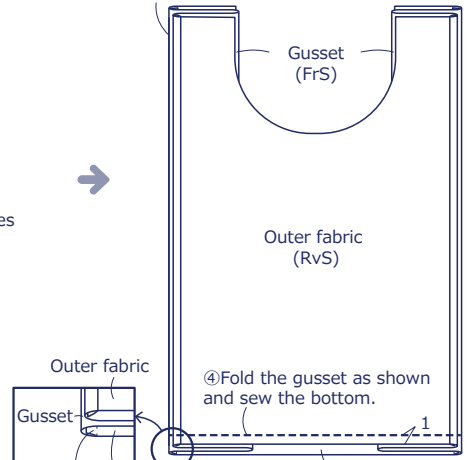
The craft projects and works featured in kokka-fabric.com are strictly for personal use and enjoyment. Please refrain from selling handmade items using the same exact design (including the pieces made in different fabrics) featured in kokka-fabric.com.

Instructions Front Side - (FrS), Reverse Side (RvS)

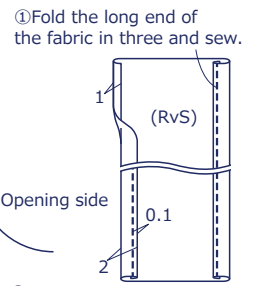
1. Make the outer bag



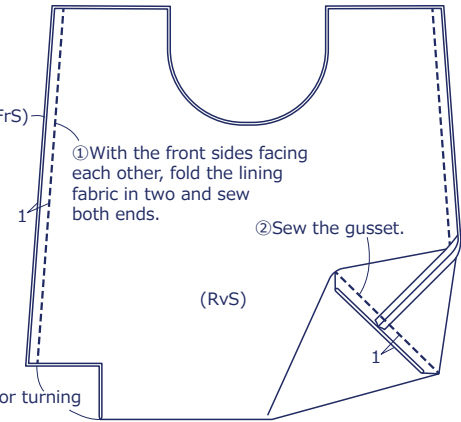
③Repeat the same process for the other panel and gusset as in ① and ②.



2. Make the handle

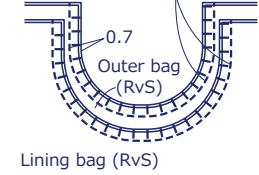


3. Sew the lining bag



4. Finish the bag

①With the front sides facing each other, sew together the outer and lining bags at the opening side. Make a slit in the curved seam.



Apply 1cm vertical stitch at the end.

