



Circular Drawstring Bag

Design & work: Kokka Fabric

Size: about 106cm (l)
about 106cm (w)
(handles excluded)

※ Size represents when bag is opened.

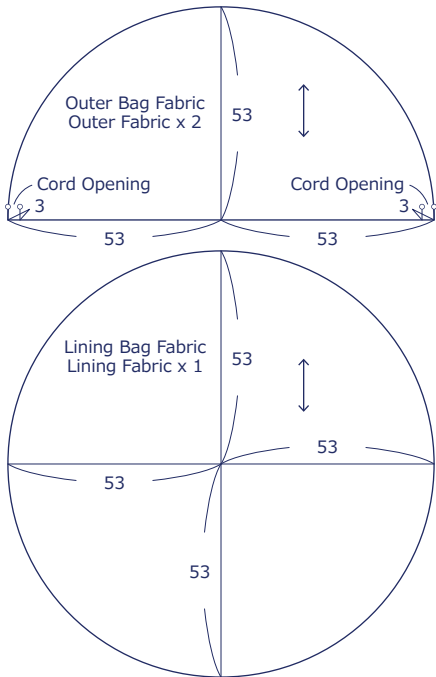
Materials

- Outer Fabric: about 110cm wide x 120cm
- Lining Fabric: about 110cm wide x 120cm
- Tape: about 25mm wide x 120cm
- Cord (medium) x 700cm

Fabric shown for this sample: (Outer fabric) YKA-11080-2A

Pattern and Cutting Layout

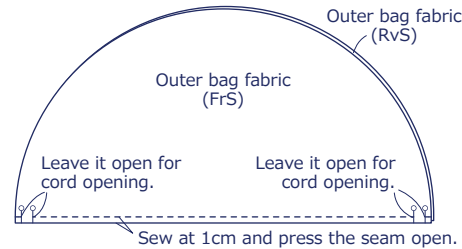
Unit: cm Add 1cm seam when cutting the fabric.



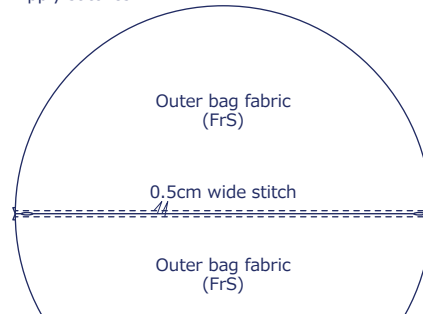
Instructions Front Side - (FrS), Reverse Side (RvS)

1. Sew the outer bag fabric

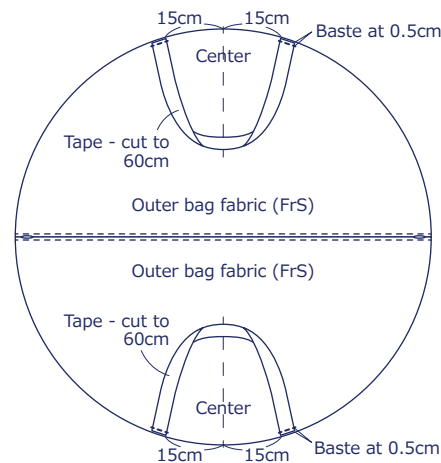
Sew with the front sides facing each other.



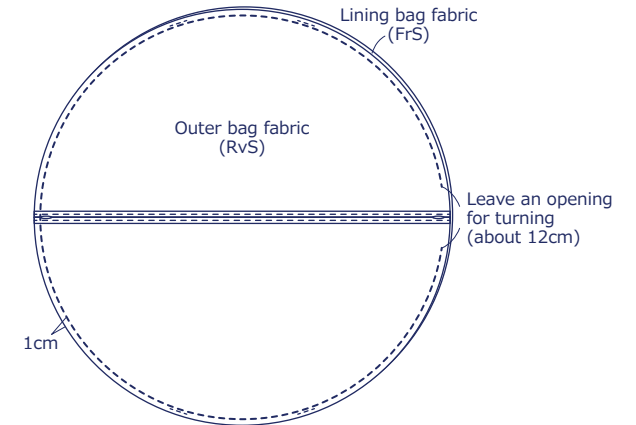
Apply stitches.



2. Baste the tape to outer bag fabric



3. With the front sides facing each other, sew together the outer bag fabric and lining bag fabric



4. Turn it inside out. Apply stitches and insert the cord to finish

