



Gathered Top Tote Bag

Design & work: Yui Tamaki

Size: 26cm (l) 48cm (opening side)
40cm (bottom)
8cm (gusset width)

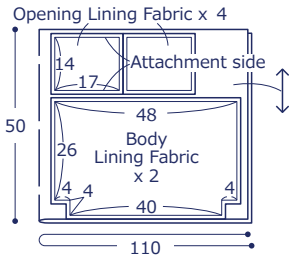
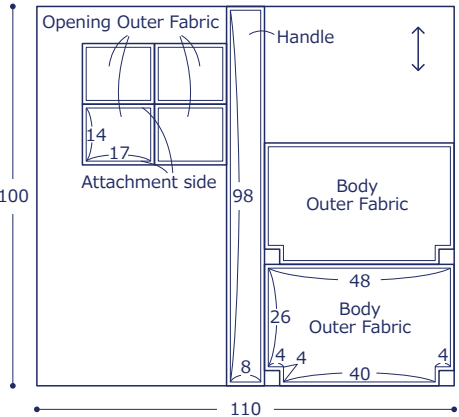
Materials

□ Fabric (Outer Fabric, Handle): 110cm wide x 1m
(Lining Fabric): 110cm wide x 50cm

Fabric shown for this sample: (Outer Fabric, Handle) EKX-98000-801A
(Lining Fabric) EKX-9541-1K

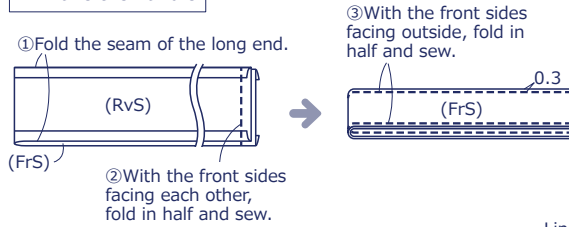
Pattern and Cutting Layout

Unit: cm 1cm Seam Allowance

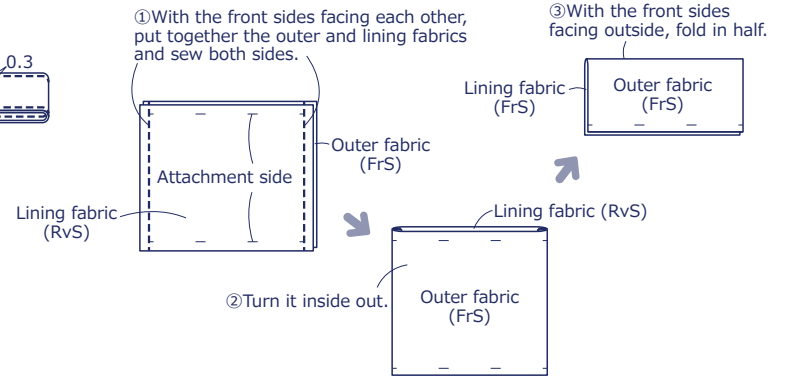


Instructions Front Side - (FrS), Reverse Side (RvS)

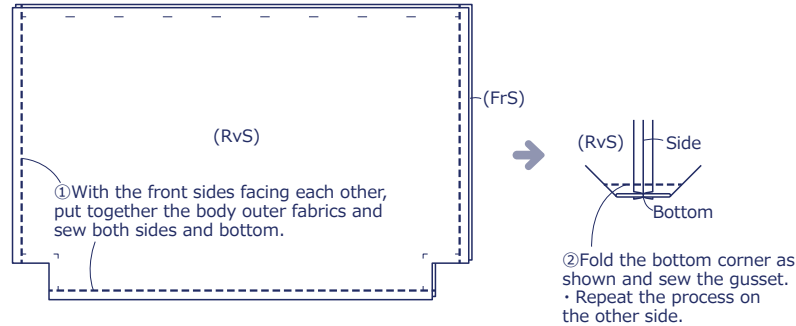
1. Make the handle



2. Make the opening fabric



3. Make the outer bag

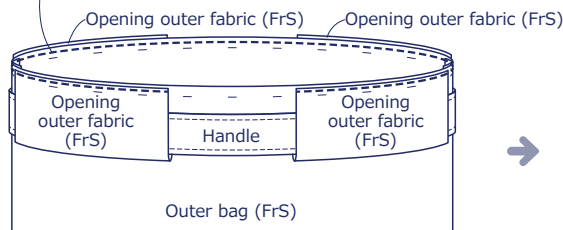


4. Make the lining bag

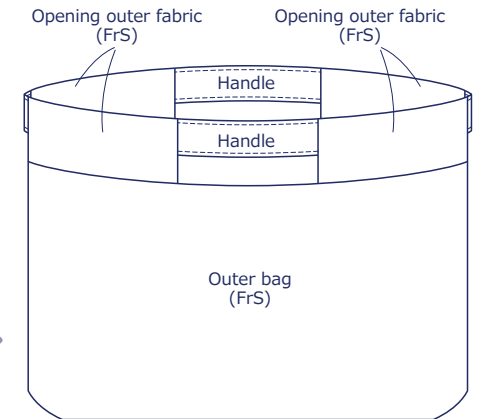
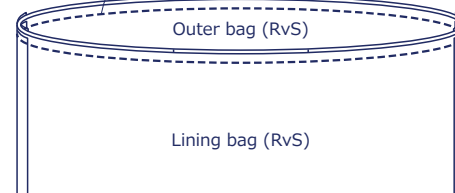
Using the lining fabric, repeat the process in 3
③ (Leave an opening for turning for 12cm on the bottom)

5. Finish the bag

① Turn over the outer bag. Baste the opening fabric with handle in between at the opening side.



② With the front sides facing each other, sew together the outer and lining bags around the top opening.



③ Turn it inside out and close the opening for turning.