



Bag with Three Different Styles

Design & work: Mioko Sugino

Size: 23cm (l)
38cm (w-at opening) 30cm (bottom)
8cm (gusset)

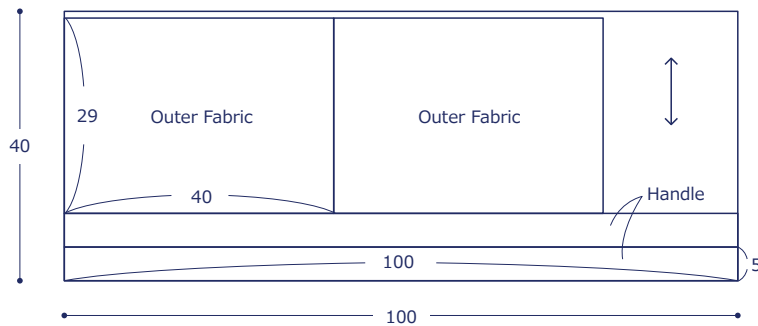
Materials

- Fabric (Outer Fabric, Handle): 100cm x 40cm
- Fabric (Lining Fabric): 40cm x 56cm
- Quilt Batting: 5cm x 1m
- Grommet: 2cm diameter x Eight pairs

Fabric shown for this sample: (Outer Fabric, Handle) EGX-7709-1D

Pattern and Cutting Layout

Unit: cm All raw edge.



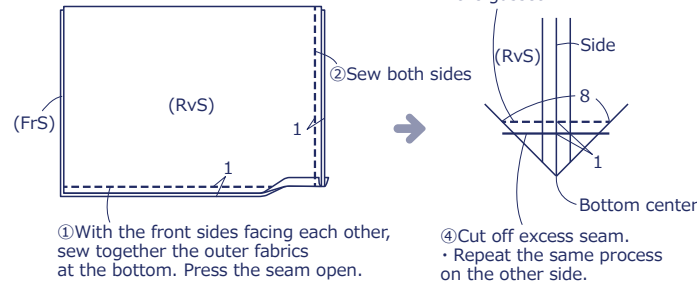
have fun with KOKKA fabric! produced by KOKKA

kokka-fabric.com

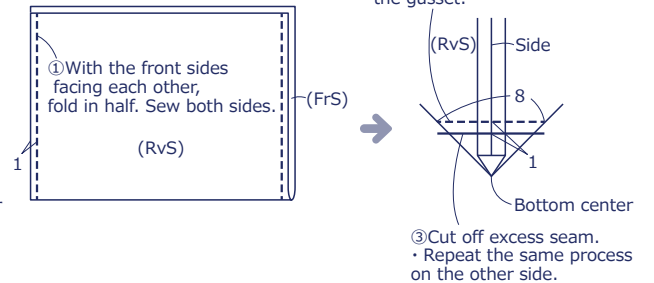
The craft projects and works featured in kokka-fabric.com are strictly for personal use and enjoyment. Please refrain from selling handmade items using the same exact design (including the pieces made in different fabrics) featured in kokka-fabric.com.

Instructions Front Side - (FrS), Reverse Side (RvS)

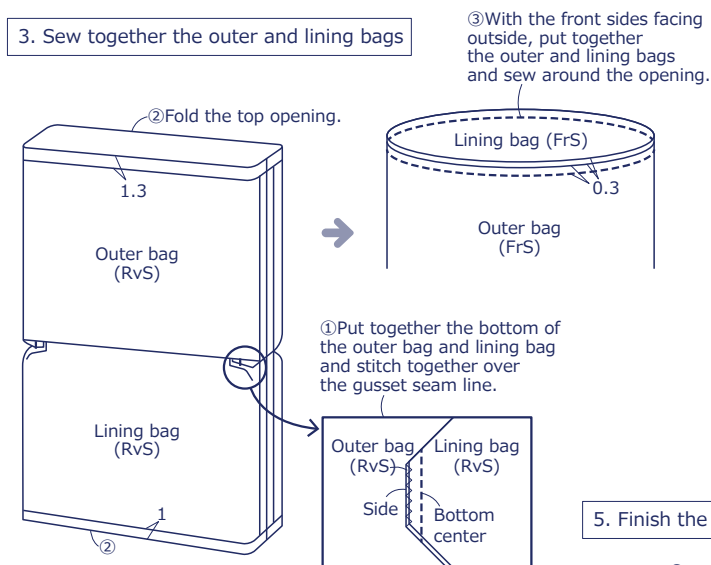
1. Make the outer bag



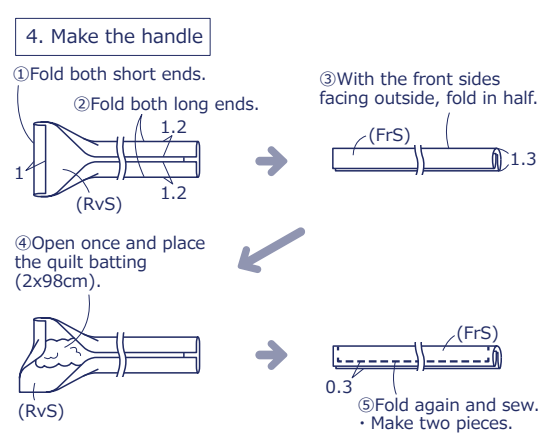
2. Make the lining bag



3. Sew together the outer and lining bags



4. Make the handle



5. Finish the bag

