



Shoulder Bag

Design & work: Yui Tamaki

Size: 20cm (l) (gusset)
 23cm (w - at opening) 19cm (bottom)
 4cm (gusset)

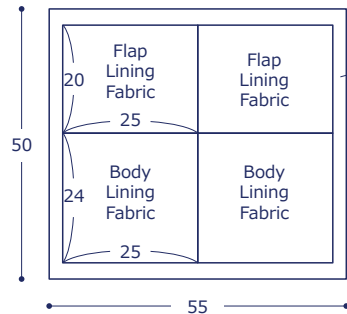
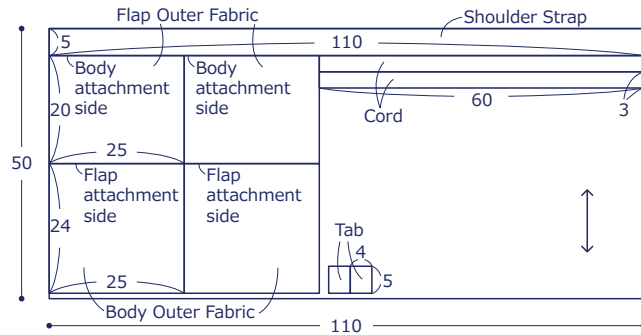
Materials

- Fabric (Outer Fabric, Shoulder Strap, Cord): 110cm wide x 50cm
- Fabric (Lining Fabric (Waffle fabric)): 55cm x 50cm
- Fusible Interfacing (medium weight)(RakuHari Presion Interfacing): 110cm x 5cm
- D ring: 1.5cm wide - Two pieces
- Swivel Hook: 2cm wide - Two pieces
- Slide Adjuster: 2cm wide - One piece

Fabric shown for this sample: (Outer Fabric, Shoulder Strap, Tab, Cord) EGXA-8001-1A

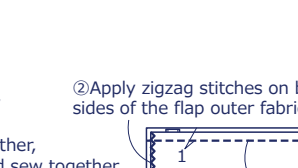
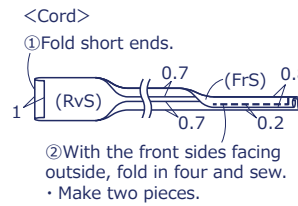
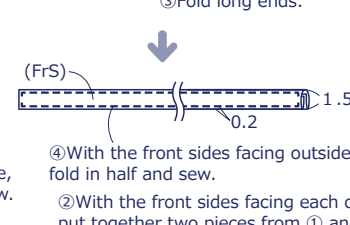
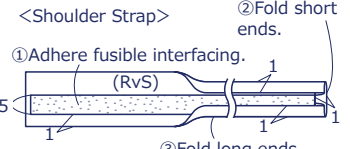
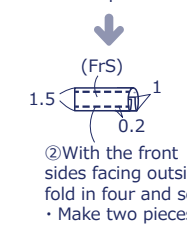
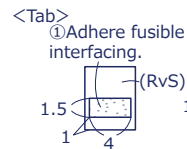
Pattern and Cutting Layout

Unit: cm All raw edge



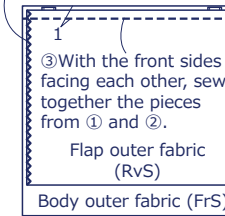
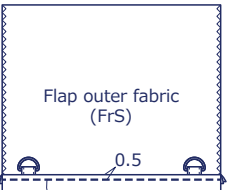
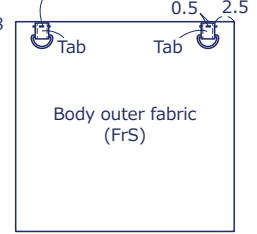
Instructions Front Side - (FrS), Reverse Side (RvS)

1. Make each parts

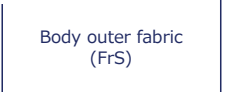


2. Make the outer fabric

① Insert the tab through D ring and fold in half. Baste the piece to body outer fabric.



④ Turn over the flap outer fabric. Press down the seam to body outer fabric side and apply stitches from the top.



· Repeat the same process on the other fabric as in steps ②~④.

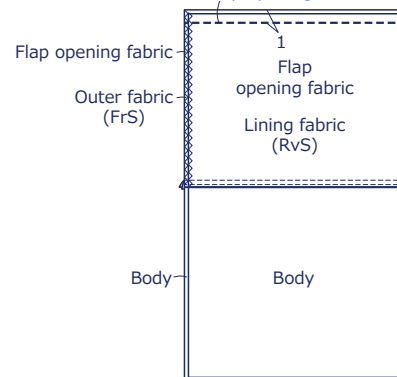
3. Make the lining fabric

本体裏布と口布裏布で
 ② - ②~④と同様に2枚作る

Repeat the same process as in ② - ②~④, using the body lining fabric and flap lining fabric. Make two pieces.

4. Sew together the outer and lining fabrics

① With the front sides facing each other, sew together the outer and lining fabrics at the top opening.



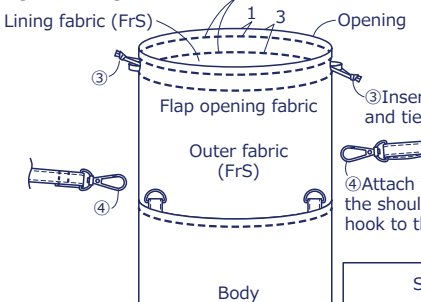
· Make two pieces.

5. Finish the bag

① Turn it inside out and close the opening for turning.



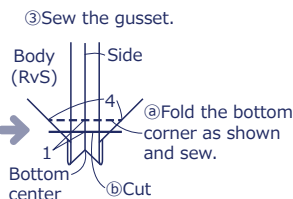
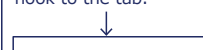
② With the front sides facing outside, put together the outer and lining bags and sew the cord opening.



③ Insert the cord and tie.



④ Attach the buckle to the shoulder strap and hook to the tab.



④ Fold the bottom corner as shown and sew. · Make two gussets each on both outer and lining fabrics

