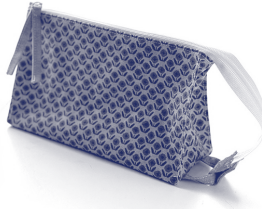


Zipper Handle Pouch



Design & work: Mioko Sugino

Size: about 11cm (l) 18cm (w) 6cm (d)

have fun with KOKKA fabric! produced by KOKKA

kokka-fabric.com

The craft projects and works featured in kokka-fabric.com are strictly for personal use and enjoyment. Please refrain from selling handmade items using the same exact design (including the pieces made in different fabrics) featured in kokka-fabric.com.

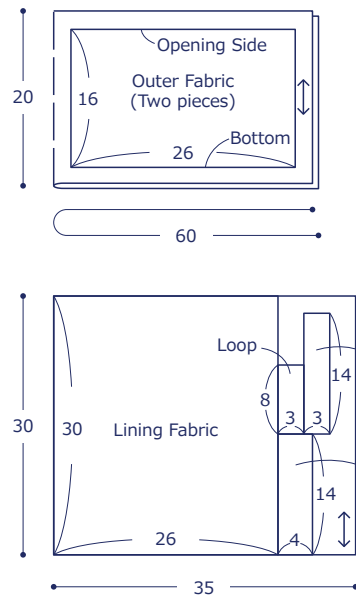
Materials

- Fabric (Outer Fabric): 60cm x 20cm
- Fabric (Lining Fabric, Loop, Edge Fabric, Decorative Fabric): 35cm x 30cm
- Flatknit Zipper: 30cm long x One piece
- O Ring: 1cm diameter x One piece

Fabric shown for this sample: (Outer Fabric) YKA-11020-2C

Pattern and Cutting Layout

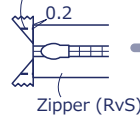
Unit: cm All raw edge.



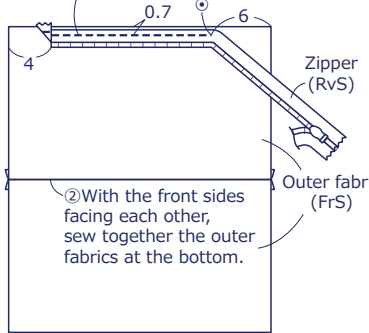
Instructions Front Side - (FrS), Reverse Side (RvS)

1. Make the outer fabric

① Fold the top end of the zipper backwards and sew.



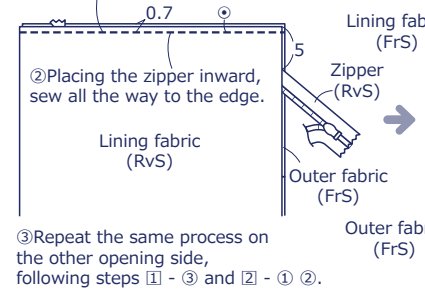
③ With the front sides facing each other, sew together the piece from ② and zipper.



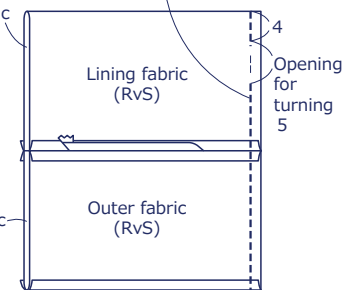
② With the front sides facing each other, sew together the outer fabrics at the bottom.

2. Sew together the outer and lining fabrics

① With the front sides facing each other, sew together the outer and lining bags up to ○.

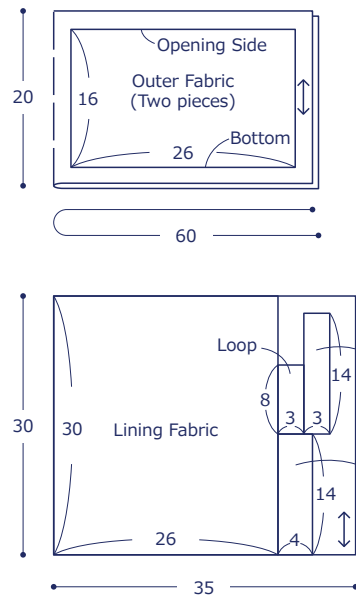


④ With the front sides facing each other, sew together the outer and lining fabrics at the side of the zipper bottom stop, leaving an opening for turning.

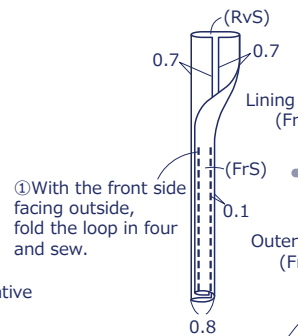


Pattern and Cutting Layout

Unit: cm All raw edge.

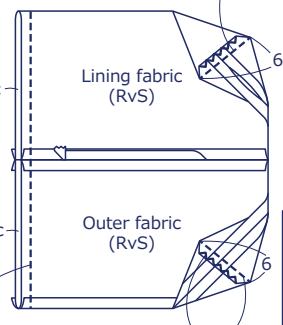


3. Make the gusset



① With the front side facing outside, fold the loop in four and sew.

③ Following the step ②, make the gusset for the lining fabric (no loop)

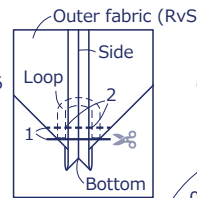
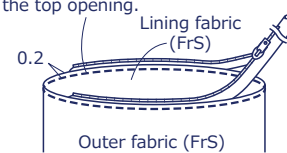


② Fold the bottom corner of the zipper bottom stop side of the outer fabric. Place the loop in-between and sew. Cut off excess seam and apply zigzag stitches.

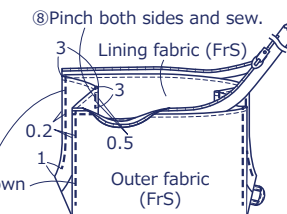
④ Sew the side of the other side (leave the zipper open)

⑤ Following the steps ② and ③, make the gusset on the zipper top stop side (no loop)

⑥ Turn it inside out. Close the opening for turning and apply stitches around the top opening.

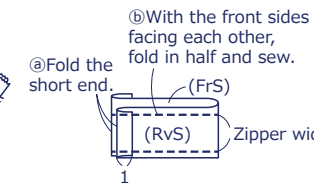


⑦ Pinch as shown and sew.

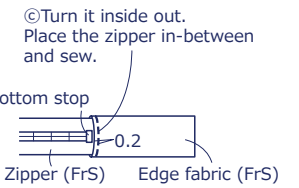
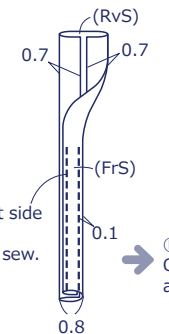


4. Finish the bag

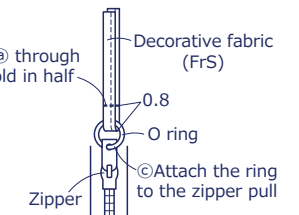
① Make the edge fabric.



② Make the decorative fabric.



④ Insert the edge through the loop. Fold in half and sew.



③ Insert ② through O ring. Fold in half and sew.

③ With the front side facing outside, fold in four and sew.



⑤ Attach the ring to the zipper pull