



One-Handled Bag

Design & Work: Kokka Fabric

Size: about 48cm (l)
about 51cm (w)
(excludes handles)

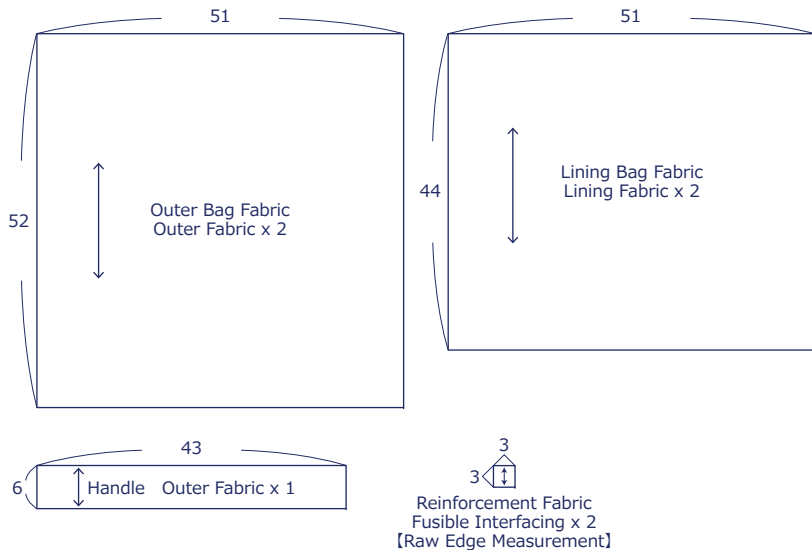
Materials

- Outer Fabric: about 110cm wide x 70cm
- Lining Fabric: about 110cm wide x 50cm
- Fusible Interfacing (medium weight): 6cm wide x 3cm
- Magnetic Hook: about 15mm wide x One pair

Fabric shown for this sample: YPA-46030-1E

Pattern & Cutting Layout

Unit: cm []: Seam Allowance
Add 1cm seam when cutting the fabric unless otherwise specified.



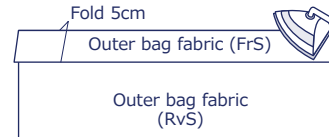
have fun with KOKKA fabric! produced by KOKKA

kokka-fabric.com

The craft projects and works featured in kokka-fabric.com are strictly for personal use and enjoyment. Please refrain from selling handmade items using the same exact design (including the pieces made in different fabrics) featured in kokka-fabric.com.

Instructions Front Side - (FrS), Reverse Side (RvS)

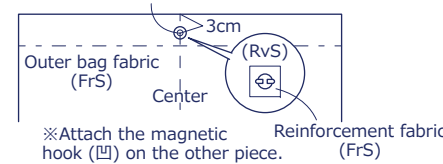
1. Score the bag opening of the outer bag fabric



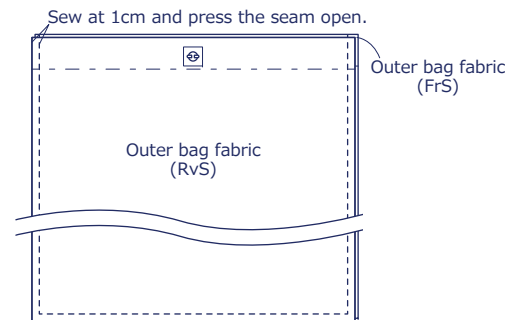
※Repeat the same process on the other piece.

2. Attach the magnetic hook on the outer bag fabric

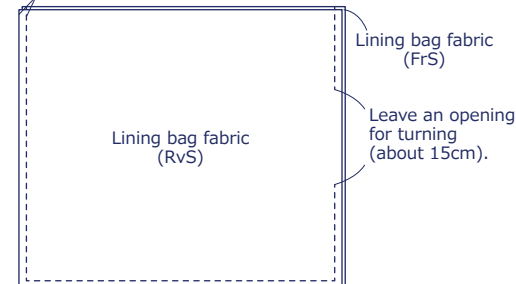
Adhere the reinforcement fabric on the back side and attach the magnetic hook (凸).



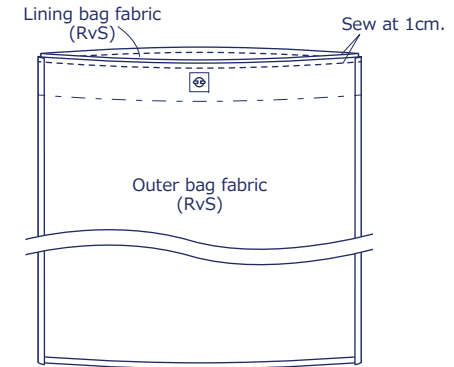
3. With the front sides facing each other, sew together the bag fabrics at the sides and bottom



Sew at 1cm and press the seam open.

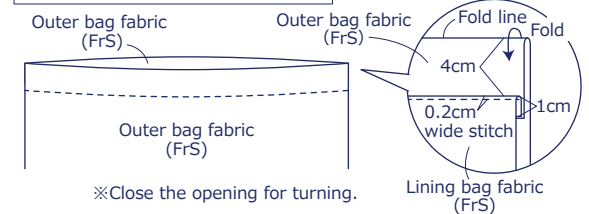


4. With the front sides facing each other, layer bag fabrics and sew together at the top opening

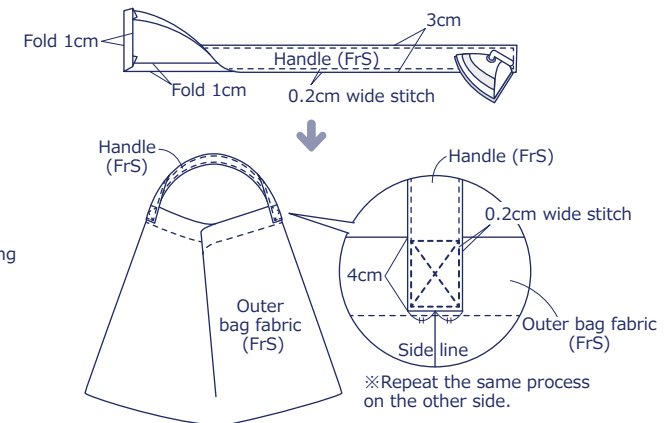


5. Turn it inside out and apply stitches around the top opening

Press down the seam to the lining bag fabric side.



6. Make the handle and attach it to the outer bag fabric to finish



※Repeat the same process on the other side.