



Tote Bag With A Buckled Handle

Design & work: Yui Tamaki

Size: 29cm (l) 40cm (opening side) 28cm (bottom)
12cm (gusset width)

have fun with KOKKA fabric! produced by KOKKA

kokka-fabric.com

The craft projects and works featured in kokka-fabric.com are strictly for personal use and enjoyment. Please refrain from selling handmade items using the same exact design (including the pieces made in different fabrics) featured in kokka-fabric.com.

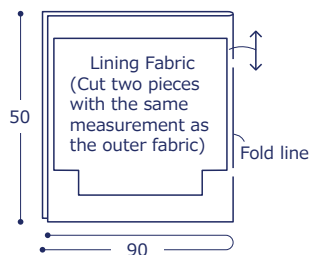
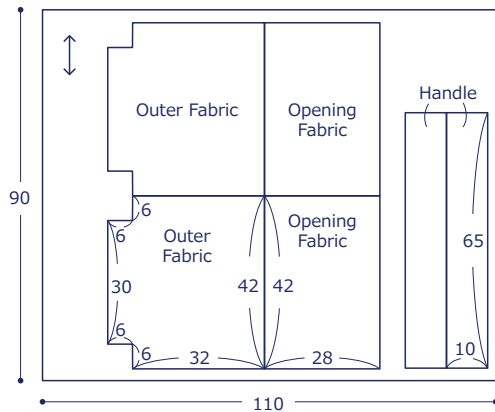
Materials

- Fabric (Outer Fabric, Opening Fabric, Handle): about 110cm wide x 90cm
(Lining Fabric): 90cm x 50cm
- Artificial Leather Tape: 2cm wide x 50cm
- Buckle: 2cm wide x One pair

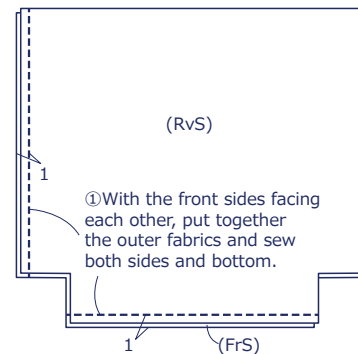
Fabric shown for this sample:
(Outer Fabric, Opening Fabric, Handle) EKX-98030-32A

Pattern and Cutting Layout

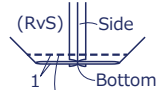
Unit: cm All raw edge



3. Make the outer bag



① With the front sides facing each other, put together the outer fabrics and sew both sides and bottom.

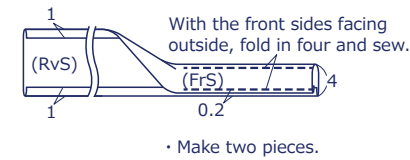


② Fold the bottom corner as shown and sew the gusset.
• Repeat the same process on the other side.

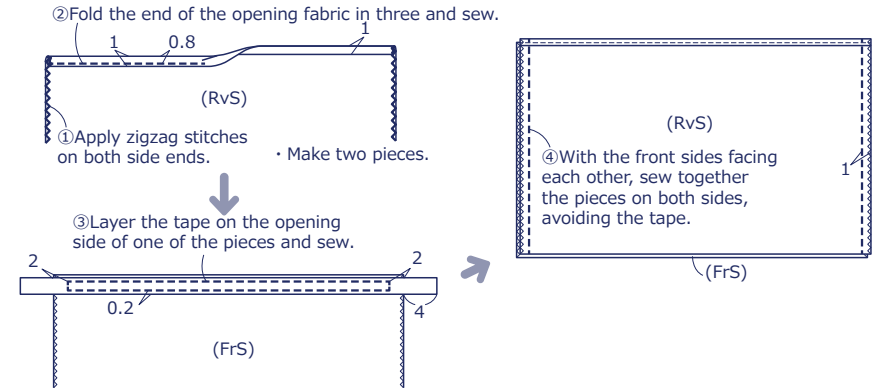
4. Make the lining bag

Repeat the same process with the lining bag following step ③ (Leave an opening for turning at the bottom for 10cm)

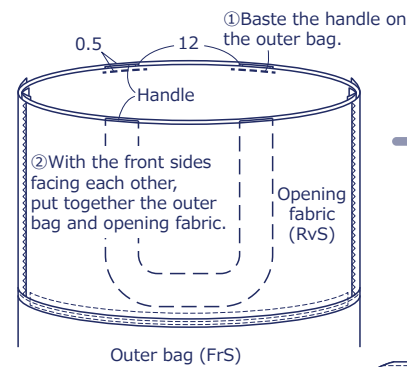
1. Make the handle



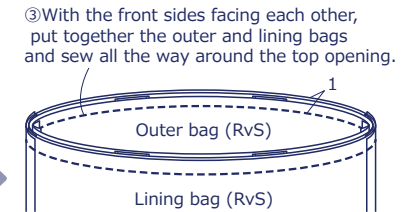
2. Make the opening fabric



5. Finish the bag

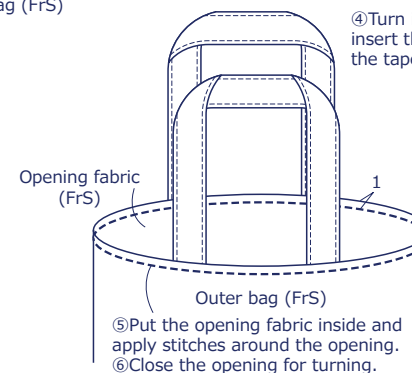


Outer bag (FrS)



Outer bag (RvS)
Lining bag (RvS)

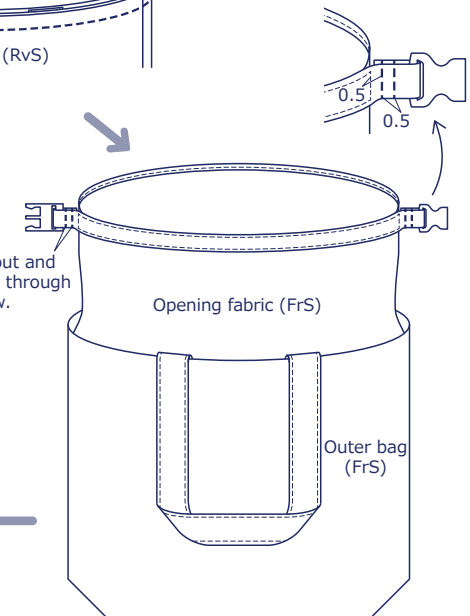
③ With the front sides facing each other, put together the outer and lining bags and sew all the way around the top opening.



Opening fabric (FrS)

Outer bag (FrS)

⑤ Put the opening fabric inside and apply stitches around the opening.
⑥ Close the opening for turning.



Opening fabric (FrS)

Outer bag (FrS)