



Drawstring Bag

Design & work: Kokka Fabric

Size: about 21.5cm (l) about 39cm (w)
about 17cm (d)
(excludes handles)

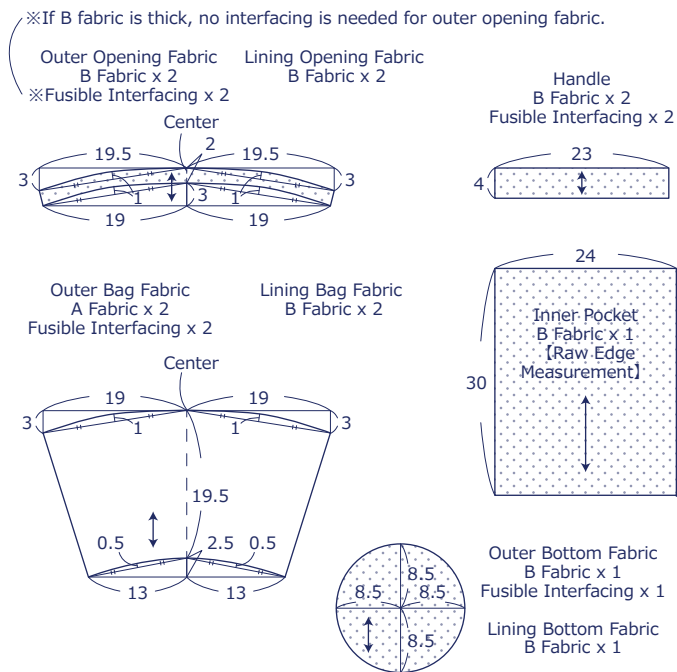
Materials

- A Fabric: about 110cm wide x 30cm
- B Fabric: about 110cm wide x 60cm
- Fusible Interfacing (medium weight): about 110cm wide x 40cm
- Waxed Cord: about 3mm wide x 170cm

Fabric shown for this sample: YKA-16040-1C

Pattern and Cutting Layout

Unit: cm []: Seam Allowance
Add 1cm seam when cutting the fabric unless otherwise specified.



※Adhere fusible interfacing on the back of the outer opening fabric, outer bag fabric, outer bottom fabric and handle.

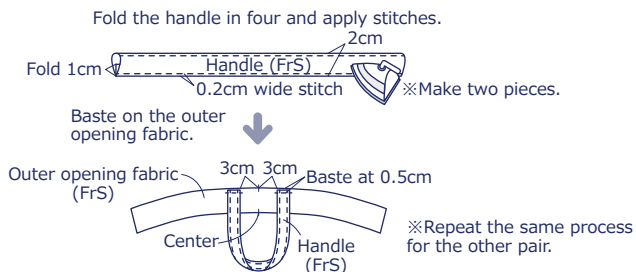
have fun with KOKKA fabric! produced by KOKKA

kokka-fabric.com

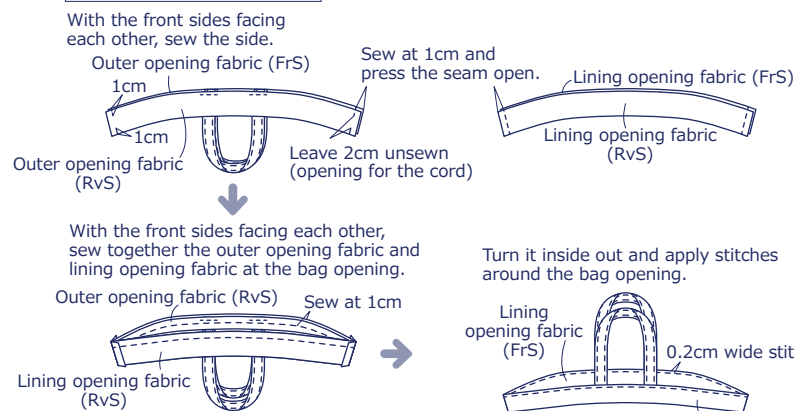
The craft projects and works featured in kokka-fabric.com are strictly for personal use and enjoyment. Please refrain from selling handmade items using the same exact design (including the pieces made in different fabrics) featured in kokka-fabric.com.

Instructions Front Side - (FrS), Reverse Side (RvS)

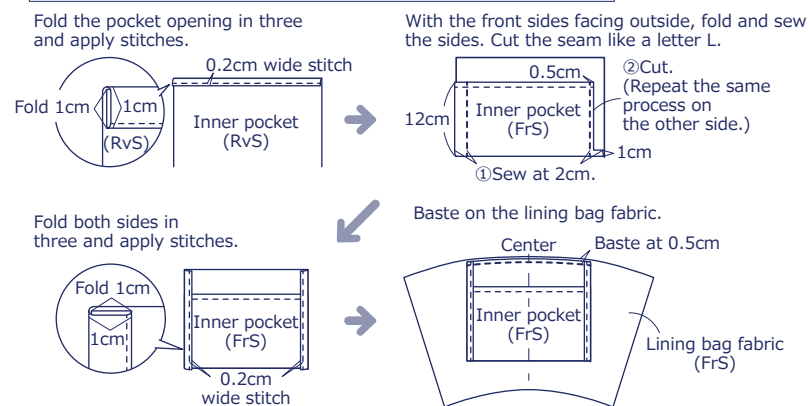
1. Make the handles and baste them on the outer opening fabric



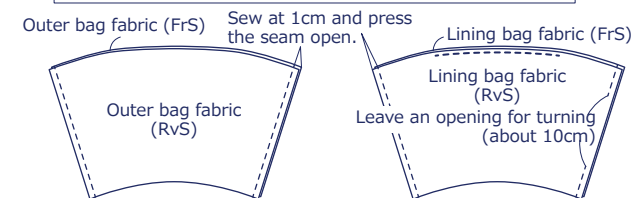
2. Sew the opening fabric



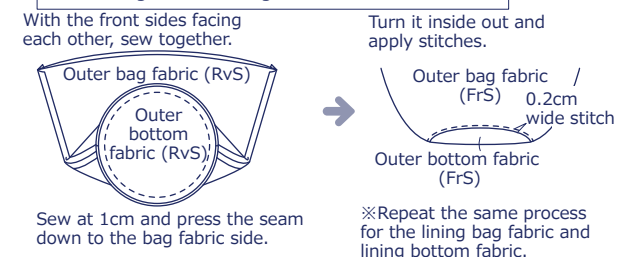
3. Make the inner pocket and baste it on the lining bag fabric



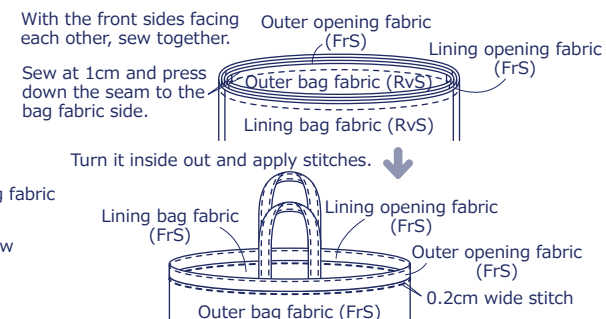
4. With the front sides facing each other, put together the bag fabrics and sew them at the sides



5. Sew together the bag fabric and bottom fabric



6. Sew together the bag fabrics and opening fabrics



7. Insert the waxed cord through the opening fabric to finish

