



House Shaped Tote Bag & Charm

Design & work: Kokka Fabric

Size: <Bag> about 15cm (l)
about 26cm (w)
about 2cm (d) (excludes handles)
<Charm> Size of your choice

Materials

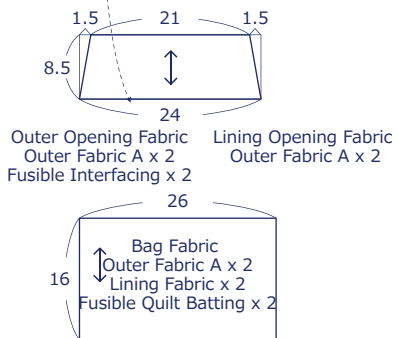
- Outer Fabric A: about 110cm wide x about 30cm
- Outer Fabric B: about 110cm wide x 30cm
- Lining Fabric: about 110cm wide x 20cm
- Fusible Interfacing (medium weight): about 110cm wide x 20cm
- Fusible Quilt Bating: about 90cm wide x 20cm
- Tape: about 30mm wide x 56cm
- Cotton: Small amount
- O Ring: Size of your choice x One piece
- Ball Chain: Length of your choice x One piece

Fabric shown for this sample: YGA-66020-1A

Pattern

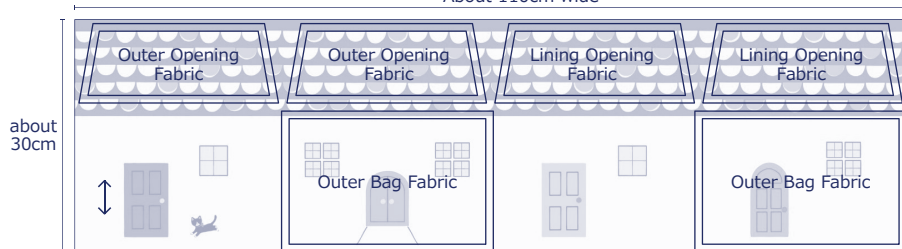
Unit: cm Add 1cm seam when cutting the fabric.

※Scalloped hem is optional for a cuter look.



※Adhere fusible interfacing on the back of the outer opening fabric. Also, adhere fusible quilt bating on the back of the outer bag fabric.

<Outer Fabric A Layout> ※ Below shows one option.
About 110cm wide



have fun with KOKKA fabric! produced by KOKKA

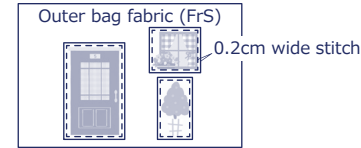
kokka-fabric.com

The craft projects and works featured in kokka-fabric.com are strictly for personal use and enjoyment. Please refrain from selling handmade items using the same exact design (including the pieces made in different fabrics) featured in kokka-fabric.com.

Instructions

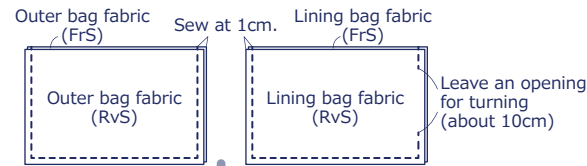
Front Side - (FrS), Reverse Side (RvS)

1. Attach the parts (cut from outer fabric B) to outer bag fabric

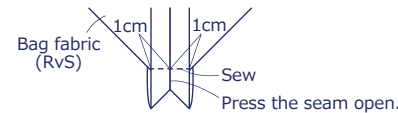


※Repeat the same process for the other pair.

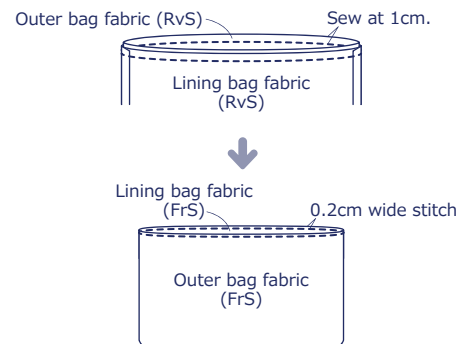
2. With the front sides facing each other, sew together the bag fabrics at the side, bottom and gusset



<How to sew the gusset>

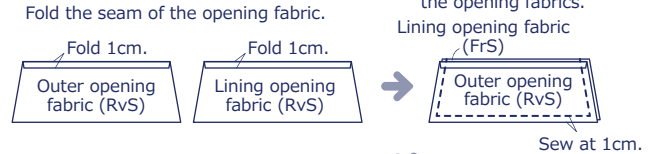


3. With the front sides facing each other, sew together the bag fabrics at the top opening. Turn it inside out and apply stitches around the top opening



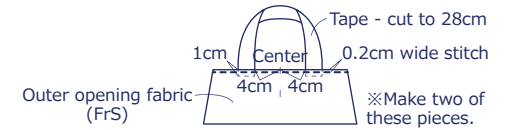
※Close the opening for turning.

4. Make the opening fabric

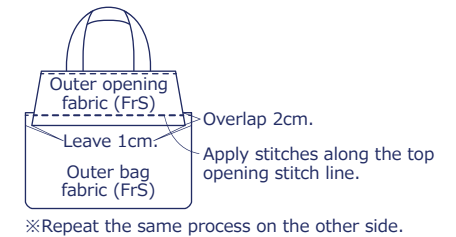


With the front sides facing each other, sew together the opening fabrics.

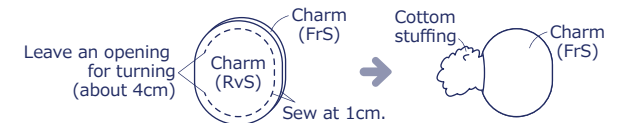
Turn it inside out. Place the handle at 1cm from the top edge in between the fabrics and apply stitches.



5. Attach the opening fabric to the bag fabric to finish the house shaped tote bag



6. With the front sides facing each other, sew together the charm pieces. Turn it inside out and stuff it with the cotton



7. Close the opening for turning. Attach the O ring and insert the ball chain through the ring to finish

