



Paper Bag Style Sub-Bag

Design & work: Mioko Sugino

Size: 31cm (l) 25cm (w) 10cm (d)

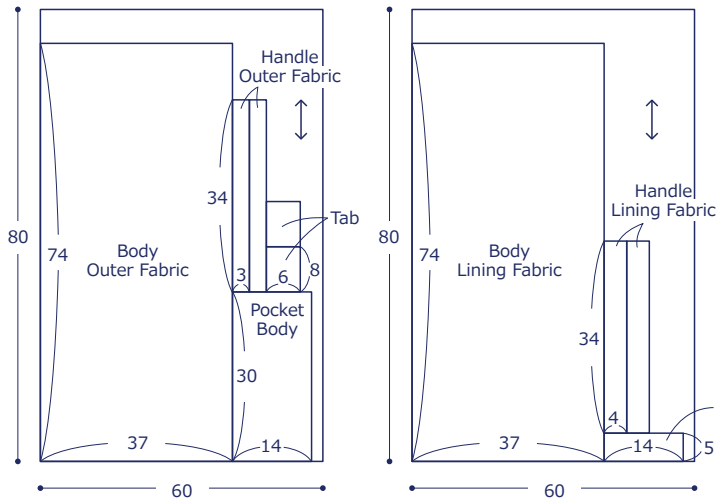
Materials

- Fabric (Outer Fabric, Pocket Body, Tab): 60cm x 80cm
- Fabric (Lining Fabric, Pocket Opening Fabric (#9.5 Canvas): 60cm x 80cm
- Plsnap Snap Button: 0.9cm diameter x One pair

Fabric shown for this sample: (Outer Fabric) YPA-46010-2D

Pattern

Unit: cm All raw edge.

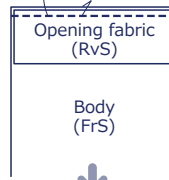


Instructions

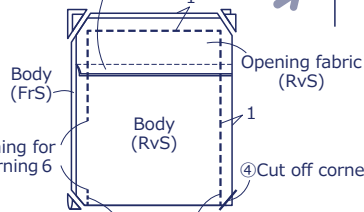
Front Side - (FrS), Reverse Side (RvS)

1. Make the pocket

① With the front sides facing each other, sew together the pocket body and opening fabric.



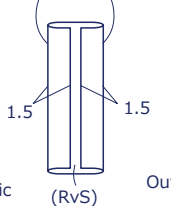
② Press down the seam from ① to the body side.



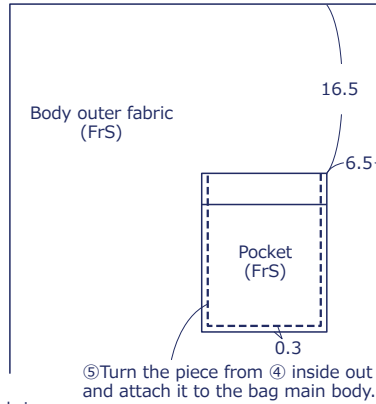
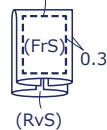
③ With the front sides facing each other, fold in half and sew the sides, leaving an opening for turning.

4. Make the tab

① Fold both sides.



② With the front sides facing outside, fold in half and sew.

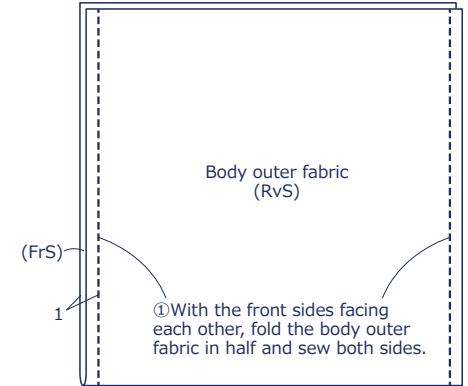


⑤ Turn the piece from ④ inside out and attach it to the bag main body.

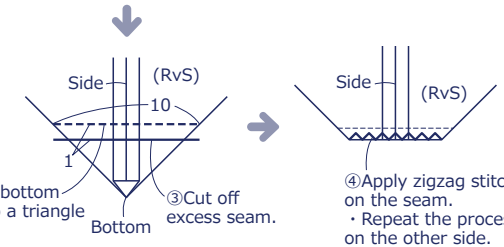
3. 裏袋を作る

本体裏布で図と同様に作る

2. Make the outer bag



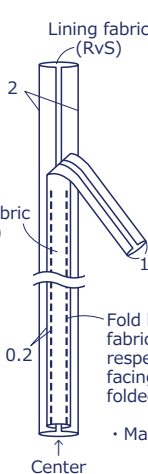
① With the front sides facing each other, fold the body outer fabric in half and sew both sides.



② Fold the bottom corner into a triangle and sew. ③ Cut off excess seam.

④ Apply zigzag stitches on the seam. Repeat the process on the other side.

5. Make the handle

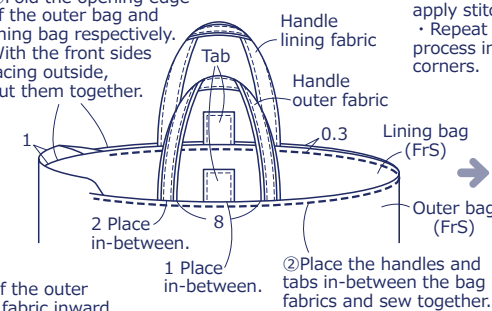


Fold long ends of the outer fabric and lining fabric inward respectively. With the front sides facing outside, sew together the folded pieces.

Make two pieces

6. Finish the bag

① Fold the opening edge of the outer bag and lining bag respectively. With the front sides facing outside, put them together.



1 Place in-between. 2 Place in-between.

② Place the handles and tabs in-between the bag fabrics and sew together.

③ Pinch the sides and apply stitches. Repeat the same process in all four corners.

④ Attach the Plsnap snap button.

