



Bag with Frills

Design & work: Kokka Fabric

Size: about 35cm (l) x about 45cm (w)
(excluding handles and frills)

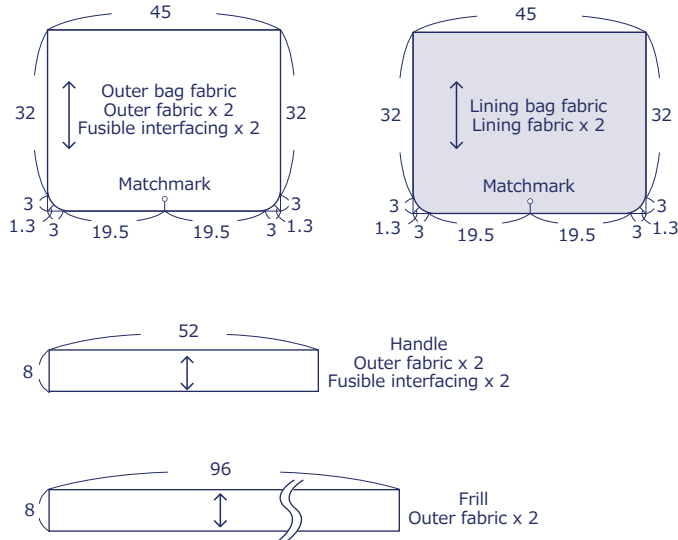
Materials

- Outer Fabric: about 110cm wide x 80cm
- Lining Fabric: about 110cm wide x 40cm
- Fusible Interfacing (heavy weight): about 110cm wide x 50cm

Fabric shown for this sample: YPA-49040-2B

Pattern

Unit: Centimeters (cm) Add 1cm seam allowances when cutting the fabric.



※ Adhere fusible interfacing on the back of the bag outer fabrics and handles.

have fun with KOKKA fabric! produced by KOKKA

kokka-fabric.com

The craft projects and works featured in kokka-fabric.com are strictly for personal use and enjoyment. Please refrain from selling handmade items using the same exact design (including the pieces made in different fabrics) featured in kokka-fabric.com.

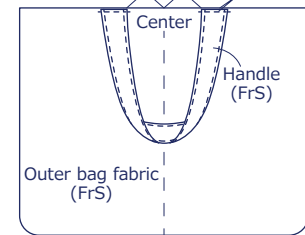
Instructions

1. Make the handle and baste it to the bag outer fabric

Fold it to the finished measurement and apply stitches on both long ends.



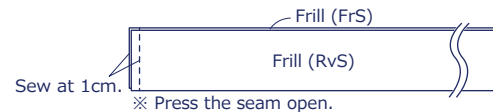
Baste it to the outer bag fabric.



※ Repeat the process with the other handle and bag outer fabric.

2. Make the frill and baste it to the bag outer fabric

With the front sides facing each other, piece together.

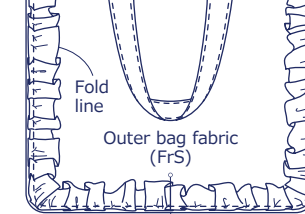


With the front sides facing each other, sew both short ends.



Baste it to the outer bag fabric.

Leave 1.5cm. Leave 1.5cm.



Align the seamline of the frill and matchmark.

3. With the front sides facing each other, sew together the sides and bottom

Sew at 1cm and press the seam open.

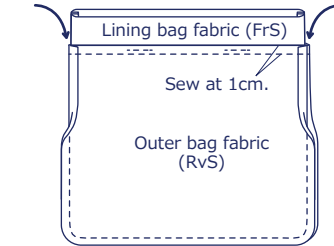


Sew at 1cm and press the seam open.



Leave an opening for turning (about 12cm)

4. With the front sides facing each other, sew together the bag fabrics at the top opening



5. Turn it over and apply stitches around the bag opening to finish



※ Close the opening for turning.