



# Three-Way Tote Bag

Design & work: Mioko Sugino

Size: 30cm (l)  
38cm (w - at opening) 28cm (bottom)  
10cm (gusset)

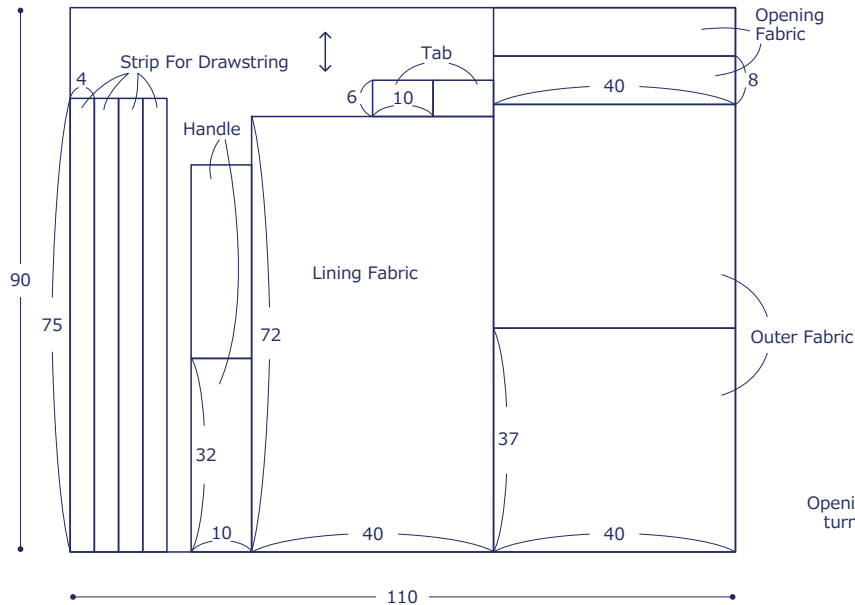
## Materials

□ Fabric: 110cm wide x 90cm

Fabric shown for this sample: EKX-138-1C

## Pattern and Cutting Layout

Unit: cm All raw edge



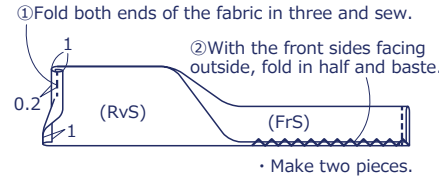
have fun with KOKKA fabric! produced by KOKKA

[kokka-fabric.com](http://kokka-fabric.com)

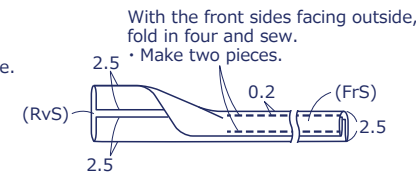
The craft projects and works featured in kokka-fabric.com are strictly for personal use and enjoyment. Please refrain from selling handmade items using the same exact design (including the pieces made in different fabrics) featured in kokka-fabric.com.

## Instructions Front Side - (FrS), Reverse Side (RvS)

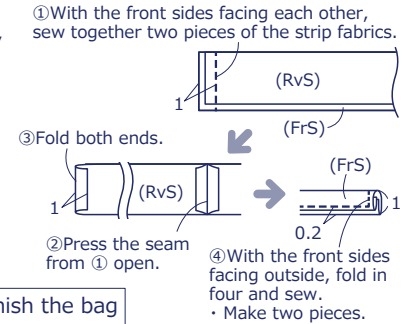
### 1. Make the opening fabric



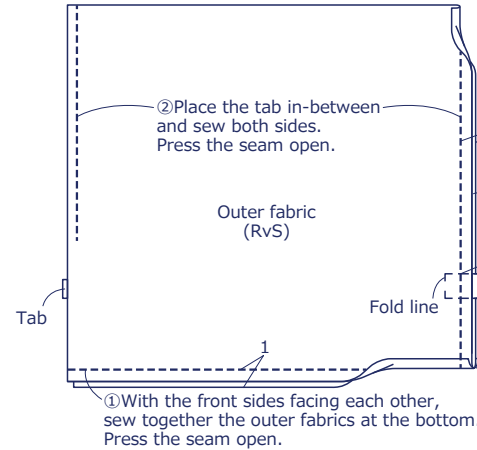
### 2. Make the handle



### 4. Make the drawstring strip

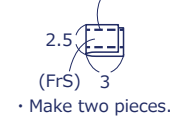


### 5. Make the outer bag



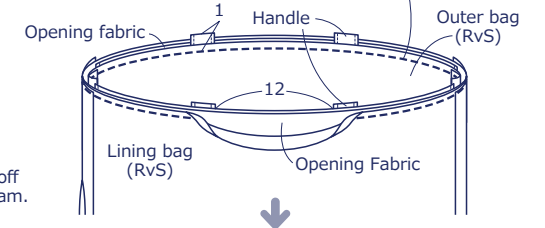
### 3. Make the tab

Follow the same steps in 2 and fold in half.

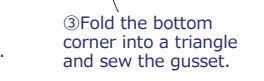
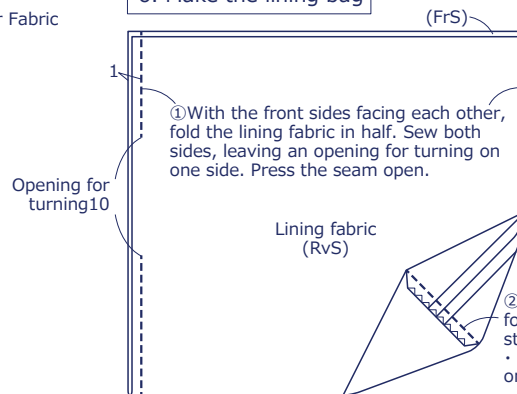


### 7. Finish the bag

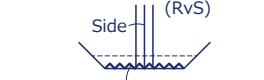
① With the front sides facing each other, layer the outer bag and lining bag. Place the opening fabric and handles in-between and sew all the way around at the top.



### 6. Make the lining bag



③ Fold the bottom corner into a triangle and sew the gusset.



⑤ Apply zigzag stitches. Repeat the process on the other side.

③ Insert the strip through the top opening. Insert one end through the tab and sew the end to secure.

② Make the gusset following the same steps in 3~5. Repeat the process on the other side.

