



Jumper Dress

Design & Work: Yoko Kato

Size: Body Width 49cm Length 122cm

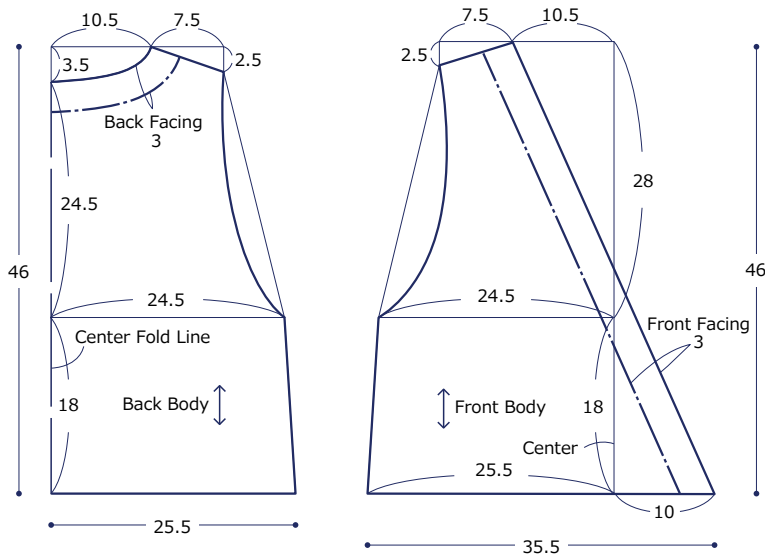
Materials

- Fabric: 106cm wide x 3m
- Fusible Interfacing: 80cm x 55cm

Fabric shown for this sample: YK-510-1D

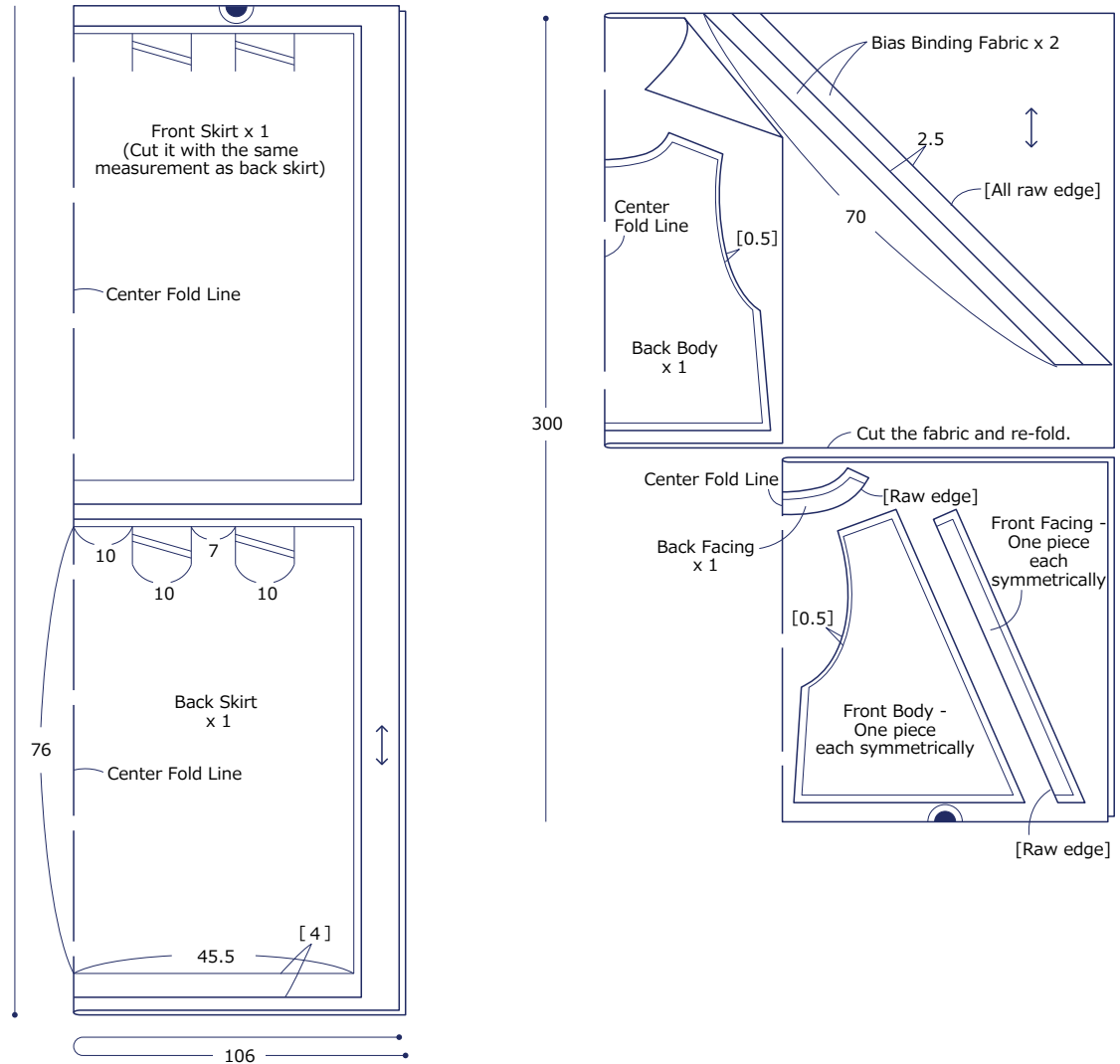
Pattern

Unit: cm.
For the curves of the back neckline and armhole, use the pattern sample for your pattern making. (Patterns shown on the third sheet of the sewing instructions.)



Cutting Layout

[] denote seam allowance. 1cm seam allowance unless otherwise specified.



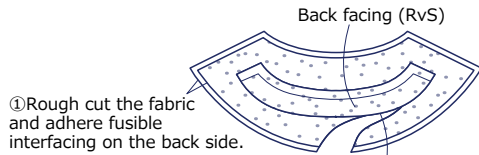
have fun with KOKKA fabric! produced by KOKKA

kokka-fabric.com

The craft projects and works featured in kokka-fabric.com are strictly for personal use and enjoyment. Please refrain from selling handmade items using the same exact design (including the pieces made in different fabrics) featured in kokka-fabric.com.

Instructions Front Side - (FrS), Reverse Side - (RvS)

① Adhere fusible interfacing on the facing.



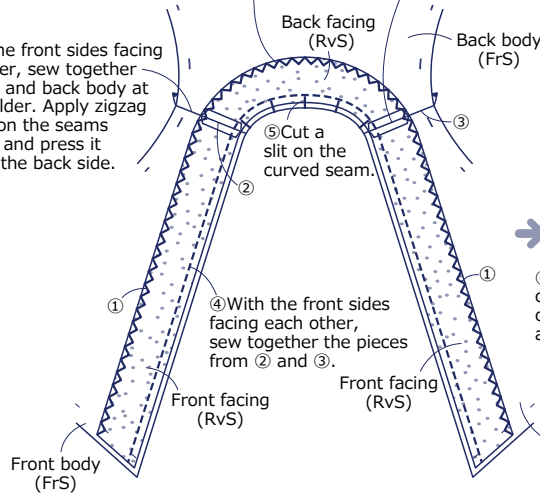
② Mark the stitch line and cutting line and cut the fabric.
※ Make one piece each of front facing symmetrically.

② Sew the shoulder and finish the neckline.

① Apply zigzag stitches on both front and back facing.

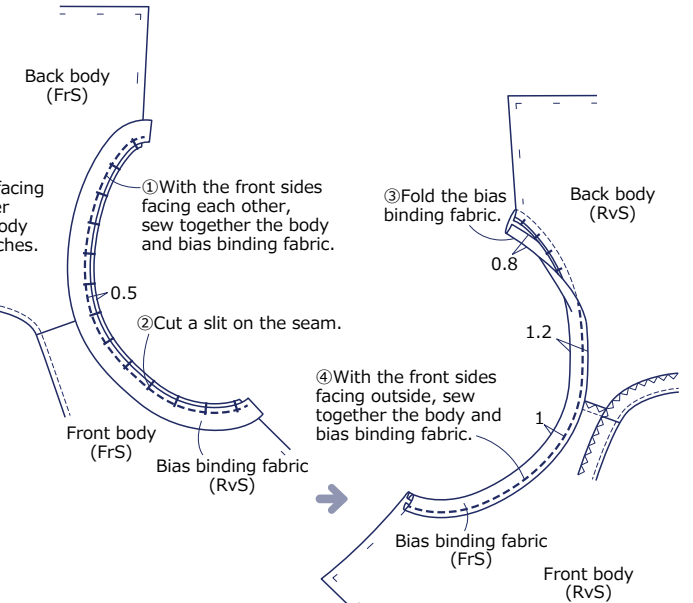
② With the front sides facing each other, sew together the front and back facings at the shoulder and press the seam open.

③ With the front sides facing each other, sew together the front and back body at the shoulder. Apply zigzag stitches on the seams together and press it down to the back side.



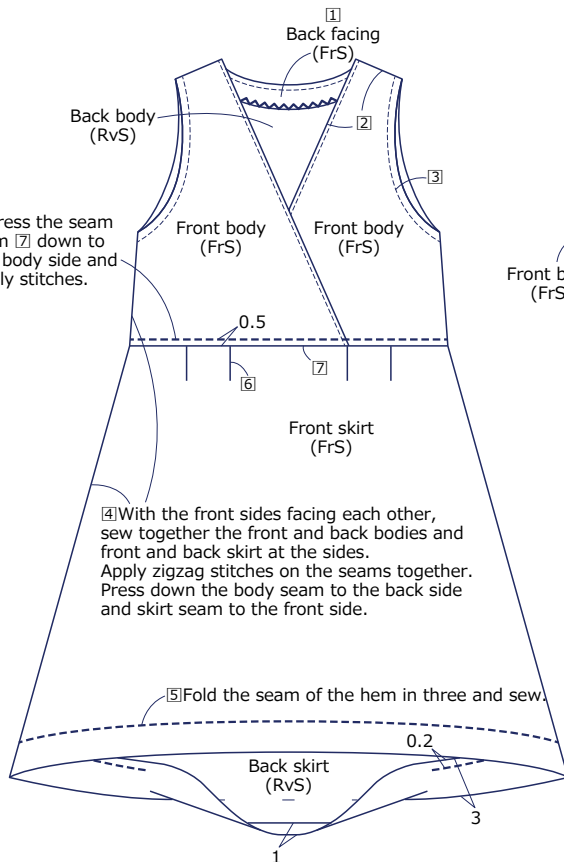
④ With the front sides facing each other, sew together the pieces from ② and ③.

③ Finish the armhole.

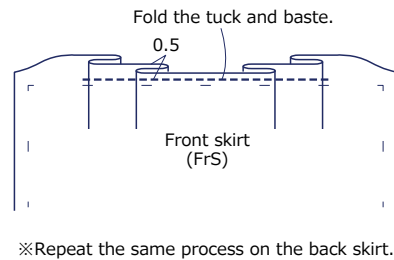


※ Repeat the same process on the other side.

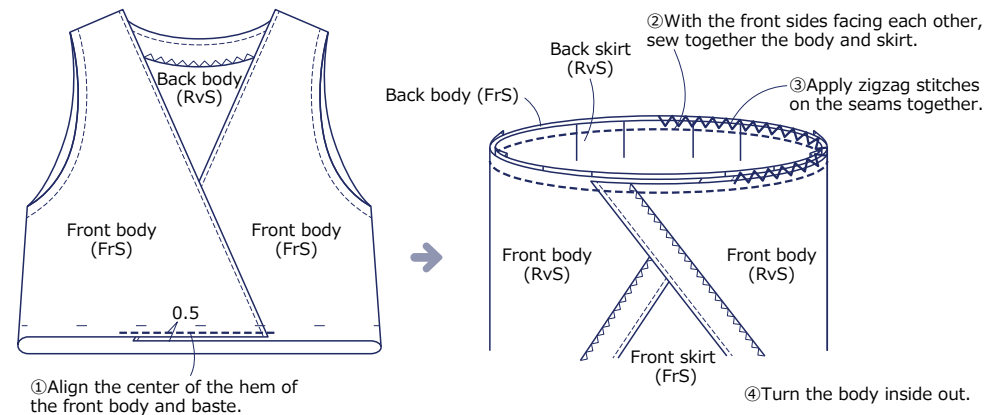
⑧ Press the seam from ⑦ down to the body side and apply stitches.



⑥ Fold the tuck of the skirt.



⑦ Sew together the body and skirt.



Pattern

Back Neckline (Actual Size)

