



Vest Style Bag

Design & work: Yui Tamaki

Size (when used as a bag): 27cm (l) 41cm (w)

have fun with KOKKA fabric! produced by KOKKA

kokka-fabric.com

The craft projects and works featured in kokka-fabric.com are strictly for personal use and enjoyment. Please refrain from selling handmade items using the same exact design (including the pieces made in different fabrics) featured in kokka-fabric.com.

Materials

- Fabric (Body Outer Fabric, Pocket): 110cm wide x 90cm (Body Lining Fabric): 90cm x 60cm
- Open-type Zipper: 60cm long x one piece
- PP Tape: 3cm wide x 1.7m
- Rectangle Buckle, Slide Adjuster: 3cm wide x two pieces each

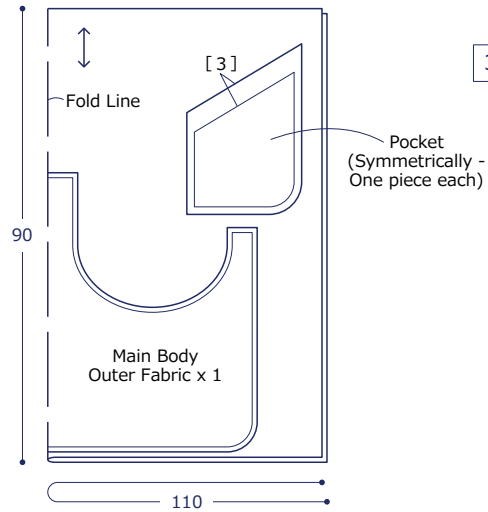
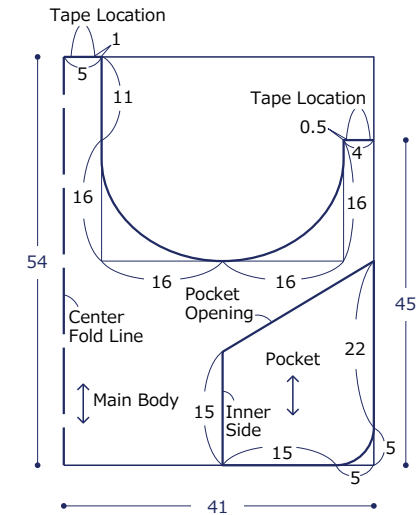
Fabric shown for this sample: EKX-98060-61D

Pattern

Unit: cm

Cutting Layout

Numbers in [] denote seam allowance. 1cm seam allowance unless otherwise specified.

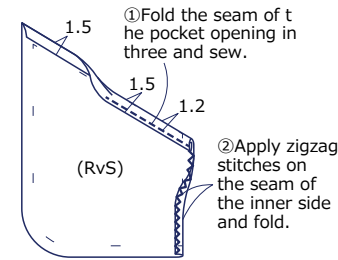


※Cut the main body lining fabric with the same measurement as the outer fabric.

Instructions

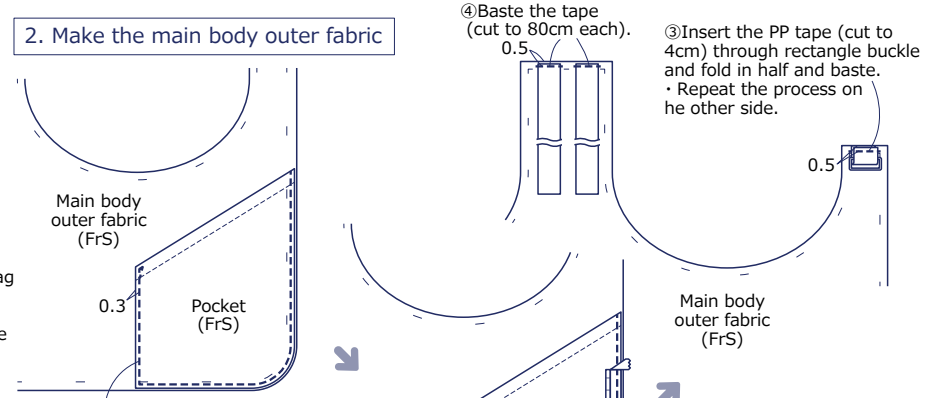
Front Side - (FrS), Reverse Side (RvS)

1. Make the pocket



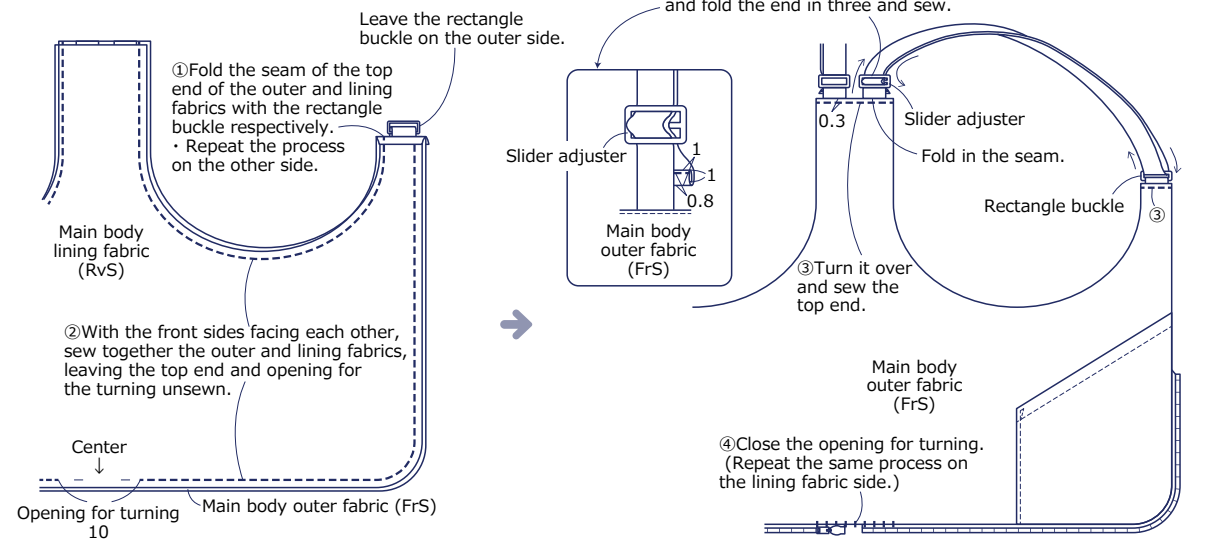
• Make one piece each symmetrically.

2. Make the main body outer fabric



① Attach the pocket.
• Repeat the process on the other side.

3. Finish the bag



① Fold the seam of the top end of the outer and lining fabrics with the rectangle buckle respectively.
• Repeat the process on the other side.

② With the front sides facing each other, sew together the outer and lining fabrics, leaving the top end and opening for the turning unsewn.

③ Turn it over and sew the top end.
④ Close the opening for turning. (Repeat the same process on the lining fabric side.)

⑤ Insert the tape first through slide adjuster, then rectangle buckle and again slide adjuster, and fold the end in three and sew.