



# Drawstring Bag

Design: Mioko Sugino  
making: Kokka Fabric

Size: 25cm (l)  
28cm (w - at opening), 20cm (bottom)  
8cm (gusset)

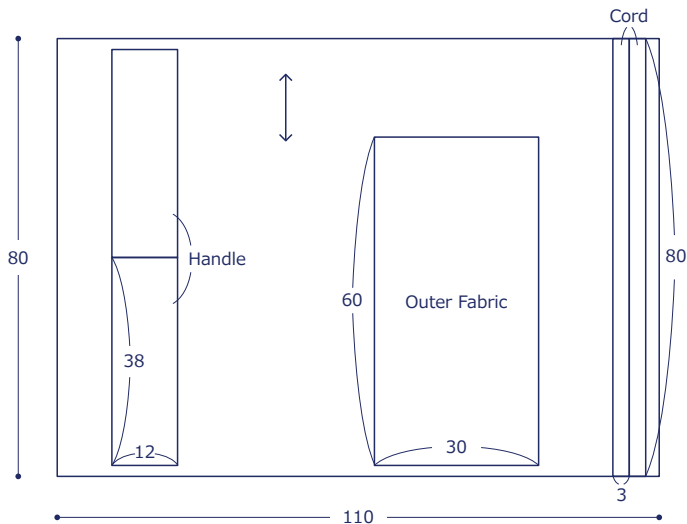
## Materials

- Fabric (Outer Fabric, Handle, Cord): 110cm wide x 80cm
- Fabric (Lining Fabric): 30cm x 60cm
- Tag: One piece

Fabric shown for this sample: (Outer fabric, Handle, Cord) YKA-19050-1B

## Pattern and Cutting Layout

Unit: cm All raw edge



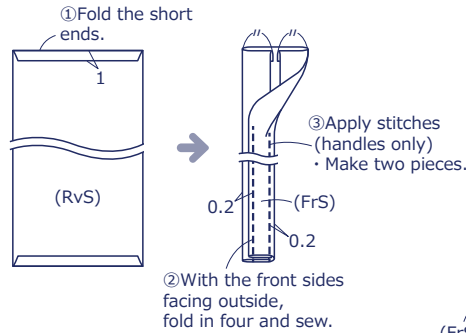
have fun with KOKKA fabric! produced by KOKKA

**kokka-fabric.com**

The craft projects and works featured in kokka-fabric.com are strictly for personal use and enjoyment. Please refrain from selling handmade items using the same exact design (including the pieces made in different fabrics) featured in kokka-fabric.com.

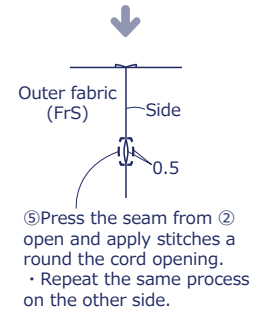
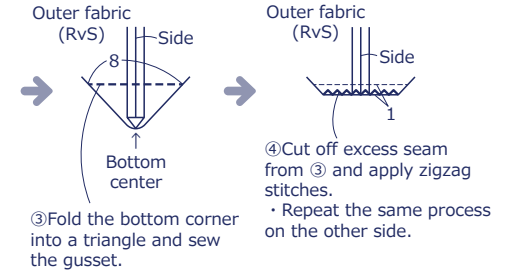
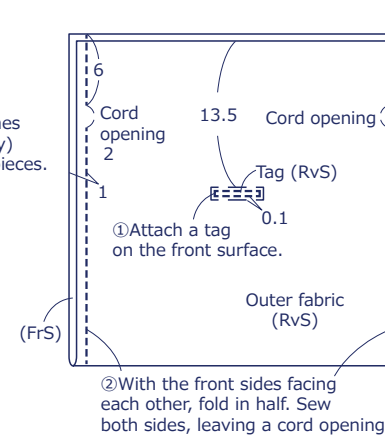
## Instructions Front Side - (FrS), Reverse Side (RvS)

### 1. Make the handle and cord

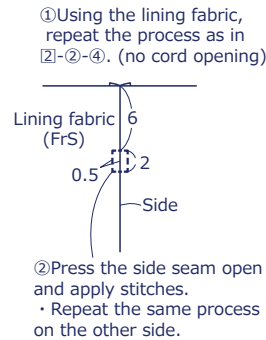


①内布で②-②~④と同様に作る  
(ひも通し口はなし)

### 2. Make the outer bag



### 3. Make the lining bag



### 4. Finish the bag

