



Lesson Bag (with loops)

Design & work: Kokka Fabric

Size: about 33cm (l)
about 42cm (w)
about 9cm (gusset)
Excludes handle and loop

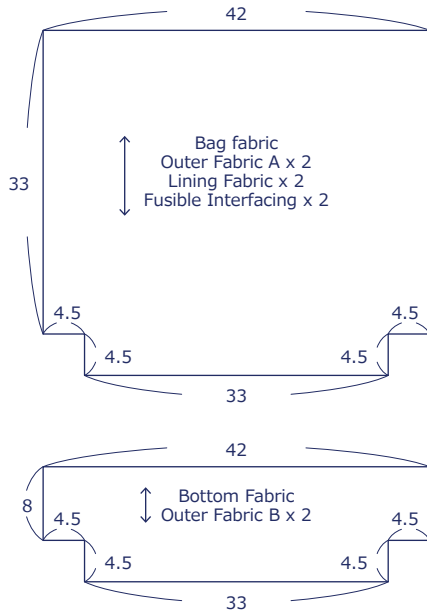
Materials

- Outer Fabric A: about 110cm wide x 50cm
- Outer Fabric B: about 110cm wide x 20cm
- Lining Fabric: about 110cm wide x 50cm
- Fusible Interfacing (light weight): about 90cm wide x 50cm
- Tape: about 25mm wide x 100cm
- D ring: about 25mm wide x one piece

Fabric shown for this sample: YKA-19010-1A

Pattern and Cutting Layout

Unit: cm
Add 1cm seam allowance when you cut the fabric.

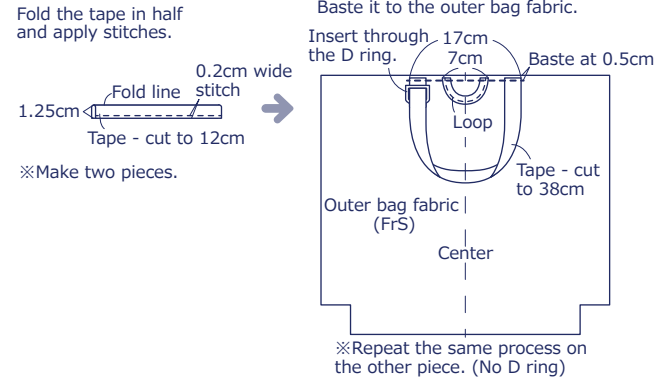


※Adhere fusible interfacing on the back of outer bag fabrics.

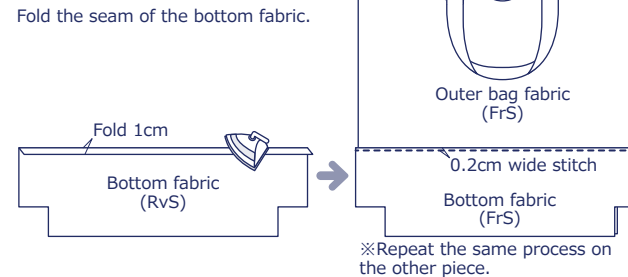
The craft projects and works featured in kokka-fabric.com are strictly for personal use and enjoyment. Please refrain from selling handmade items using the same exact design (including the pieces made in different fabrics) featured in kokka-fabric.com.

Instructions Front Side - (FrS), Reverse Side (RvS)

1. Make the loop and baste the handle and loop on the outer bag fabric



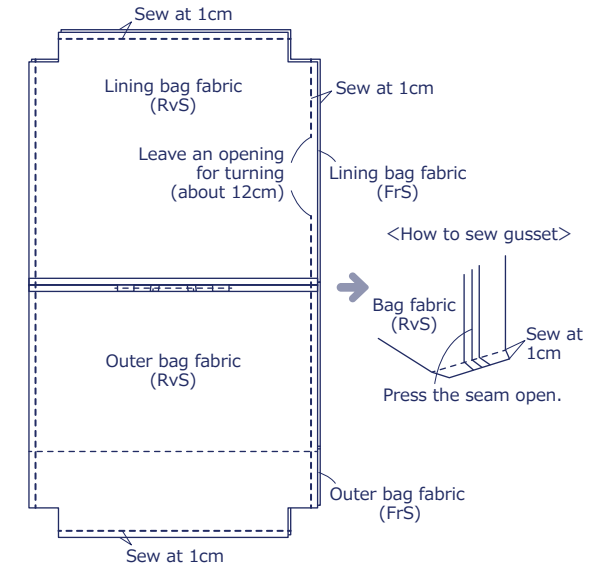
2. Sew together the outer bag fabric and bottom fabric



3. With the front sides facing each other, sew together the outer bag fabric and lining bag fabric at the opening



4. With the front sides facing each other, sew together the outer and lining bag fabrics at the side, bottom and gusset



5. Turn the bag inside out. Apply stitches around the top opening to finish

