



One-Shoulder Bag

have fun with KOKKA fabric! produced by KOKKA

kokka-fabric.com

The craft projects and works featured in kokka-fabric.com are strictly for personal use and enjoyment. Please refrain from selling handmade items using the same exact design (including the pieces made in different fabrics) featured in kokka-fabric.com.

Design & work: Kokka Fabric

Size: 22cm (l)
38cm (w)
22cm (gusset)

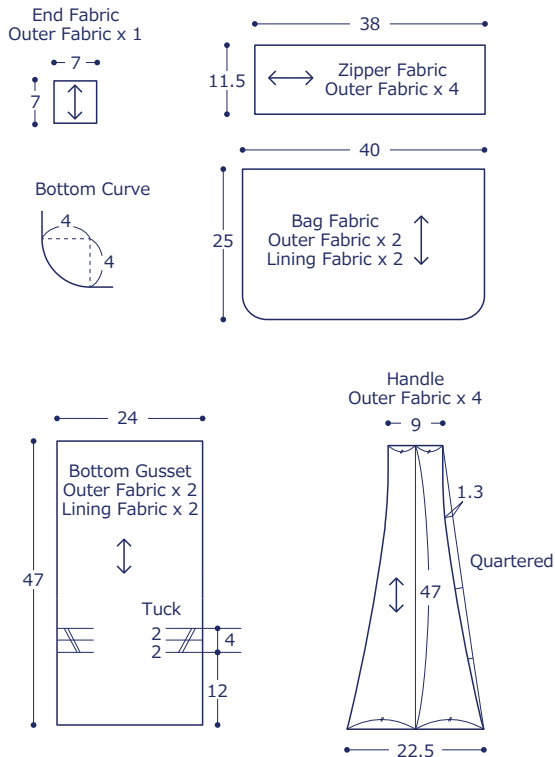
Materials

- Outer Fabric: 110cm wide x 125cm
- Lining Fabric: 110cm wide x 80cm
- 50cm Zipper: one piece

Fabric shown for this sample: EKX-98060-61C

Pattern & Cutting Layout

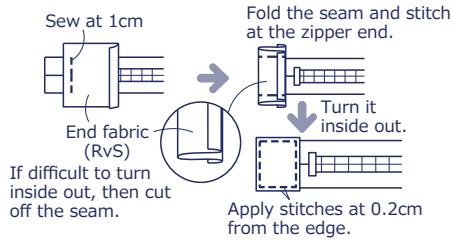
Unit: cm.
Numbers include seam allowance.



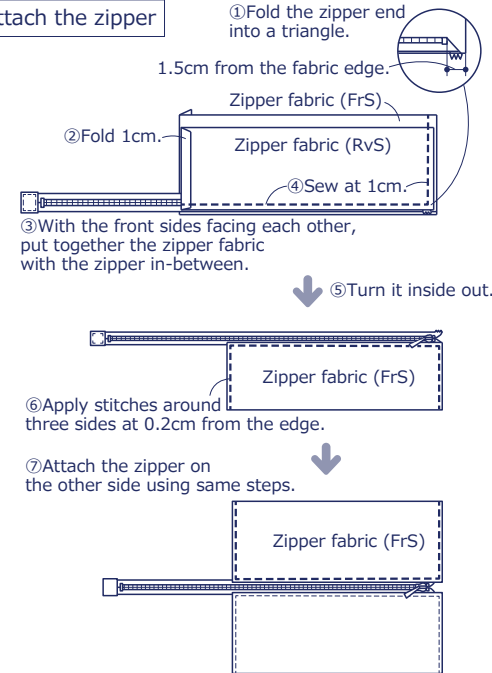
Instructions

Front Side - (FrS), Reverse Side (RvS)

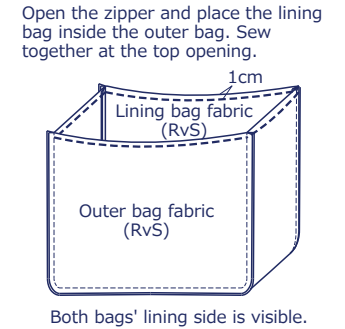
1. Wrap the ends of the zipper with the fabric



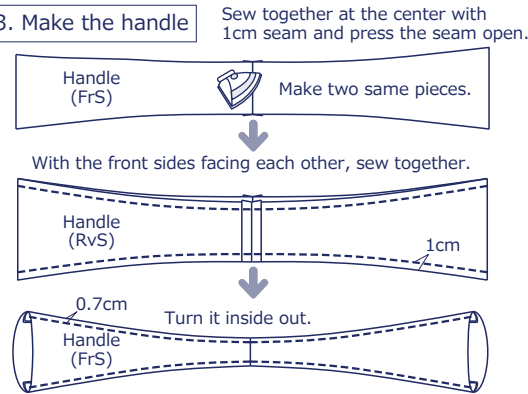
2. Attach the zipper



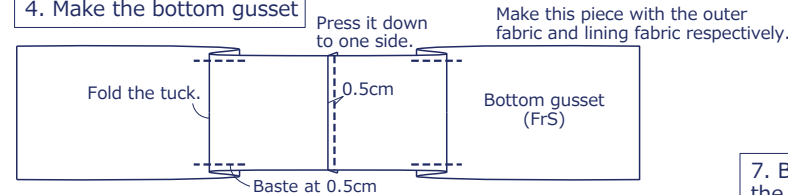
8. Sew the bag opening



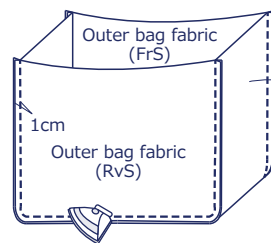
3. Make the handle



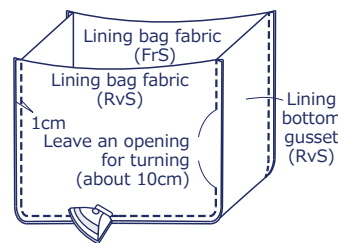
4. Make the bottom gusset



5. Make the outer bag

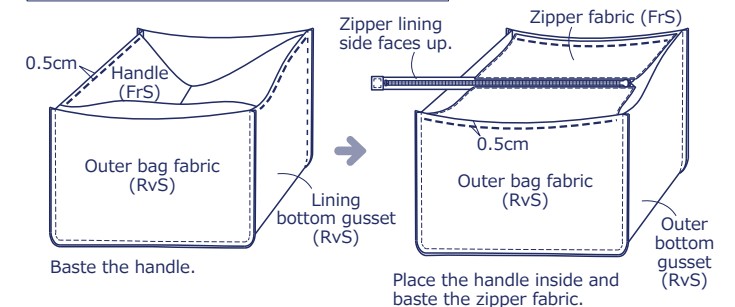


6. Make the lining bag



Press down the seam to the bottom side.
If the seam gets pulled tight, cut a slit along the sharp edge of the curve.

7. Baste the handle and zipper fabric to the inner side of the outer bag



9. Apply stitches around the bag opening

