



# Piping Bag

Design & work: Yui Tamaki

Size: 22.5cm (l) 26cm (w) 10cm (d)

have fun with KOKKA fabric! produced by KOKKA

[kokka-fabric.com](http://kokka-fabric.com)

The craft projects and works featured in kokka-fabric.com are strictly for personal use and enjoyment. Please refrain from selling handmade items using the same exact design (including the pieces made in different fabrics) featured in kokka-fabric.com.

## Instructions Front Side - (FrS), Reverse Side (RvS)

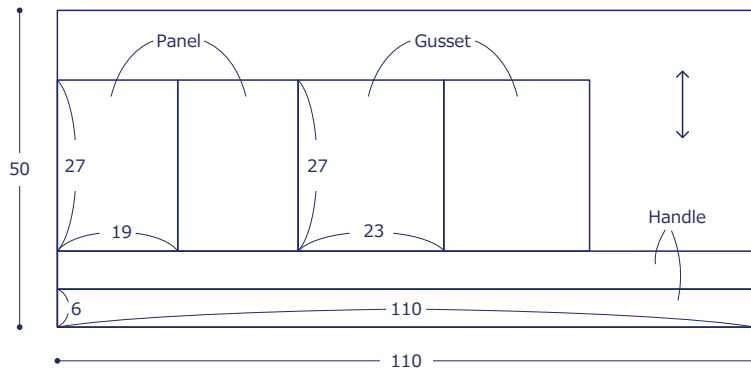
### Materials

□ Fabric: 110cm wide x 50cm

Fabric shown for this sample: EYX-90000-900B

### Pattern and Cutting Layout

Unit: cm All raw edge



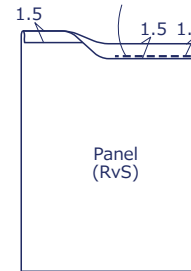
### 1. Make the handle

With the front sides facing outside, fold in four to create the fabric.



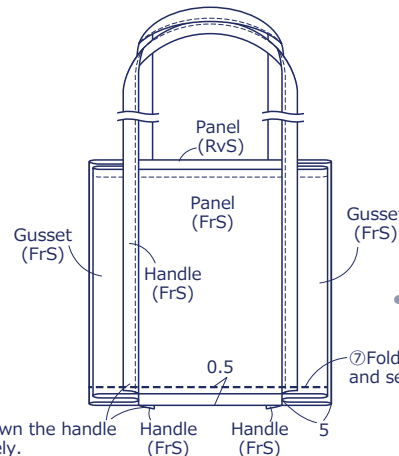
### 2. Make the panel and gusset

Fold the opening side of the panel fabric in thirds and apply stitches.



- Makes two pieces. Repeat the same process for two pieces of gusset.
- Makes two pieces.

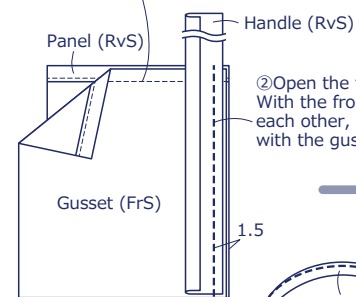
⑥ Repeat the process as in ①~⑤ for the other panel.



Press down the handle alternately.

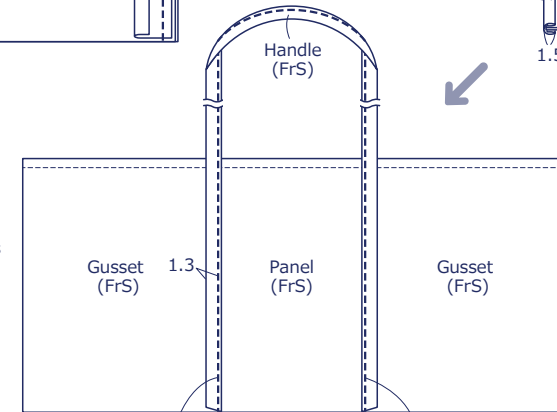
### 3. Finish the bag

① With the front sides facing outside, put together the panel and gusset.



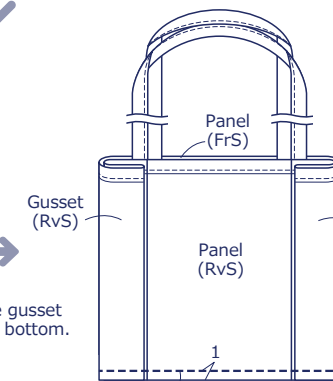
② Open the folded handle. With the front sides facing each other, sew together with the gusset.

③ With the front sides facing outside, fold in four and baste with clips.

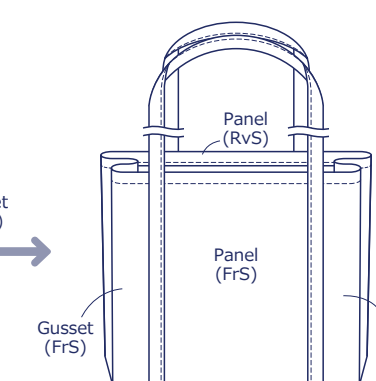


⑤ Sew the handle.

④ Repeat the same process as in ② & ③ for the other side.



⑧ Turn it over and sew the bottom.



⑨ Turn it inside out and align the shape.