

Round Handle Bag

have fun with KOKKA fabric! produced by KOKKA

kokka-fabric.com

The craft projects and works featured in kokka-fabric.com are strictly for personal use and enjoyment. Please refrain from selling handmade items using the same exact design (including the pieces made in different fabrics) featured in kokka-fabric.com.



Design & work: Mioko Sugino

Size: 39cm (l) 35cm (w)

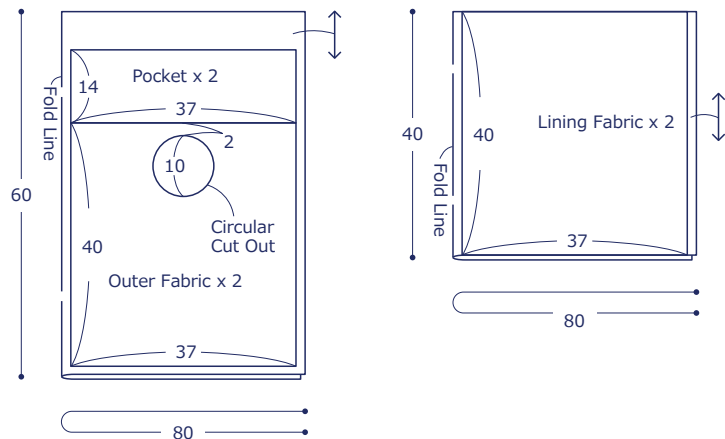
Materials

- Fabric (Outer Fabric, Pocket): 80cm x 60cm
- Fabric (Lining Fabric): 80cm x 40cm
- Double Folded Bias Binding Tape: 2cm wide x 80cm

Fabric shown for this sample: (Outer Fabric, Pocket) EPX-2020-1A

Pattern and Cutting Layout

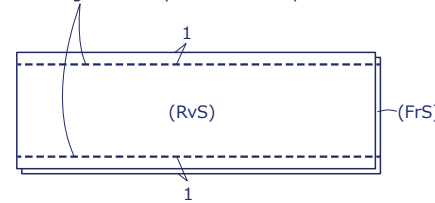
Unit: cm All raw edge.



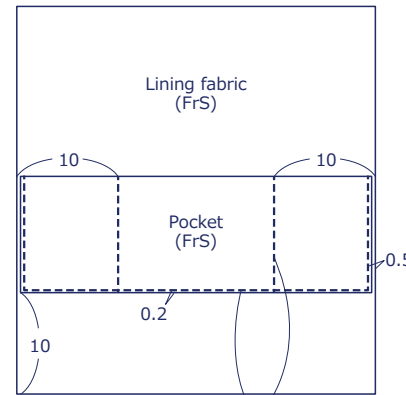
Instructions Front Side - (FrS), Reverse Side (RvS)

1. Make the pocket

① With the front sides facing each other, sew together the pieces at the top and bottom.



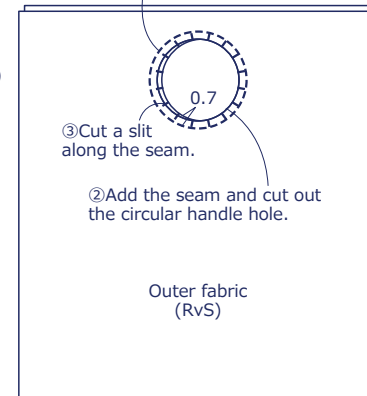
② Turn it inside out.



③ Attach ② to one of the lining fabrics and sew the partition.

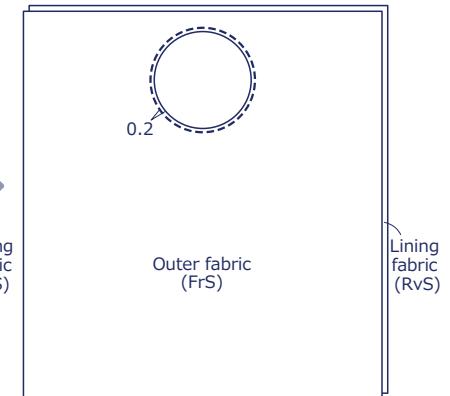
2. Make the bag body and finish

① With the front sides facing each other, sew together the outer and lining fabrics to create a circular handle.



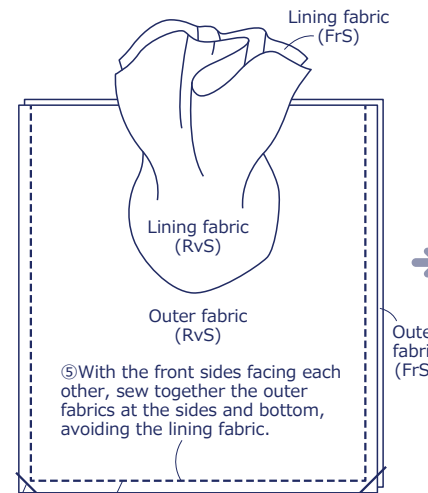
② Add the seam and cut out the circular handle hole.

④ Turn the fabric inside out through the hole and apply stitches.



• Make two pieces.

⑧ Turn it inside out at the top opening side. Fold the bias binding tape in half. Wrap the top opening with the tape and sew. Fold 1 and overlap the end. Cut off the excess.



⑤ With the front sides facing each other, sew together the outer fabrics at the sides and bottom, avoiding the lining fabric.

⑥ Cut off corner seam.
⑦ Repeat the same process for the lining fabric as in steps ⑤ & ⑥.

