



# Reusable Bag

Design & work: Satomi Takei

Bag: 36.5cm (l) 36cm (w)  
about 13cm (gusset)

Pouch: about 16cm (l) about 19cm (w)

have fun with KOKKA fabric! produced by KOKKA

[kokka-fabric.com](http://kokka-fabric.com)

The craft projects and works featured in kokka-fabric.com are strictly for personal use and enjoyment. Please refrain from selling handmade items using the same exact design (including the pieces made in different fabrics) featured in kokka-fabric.com.

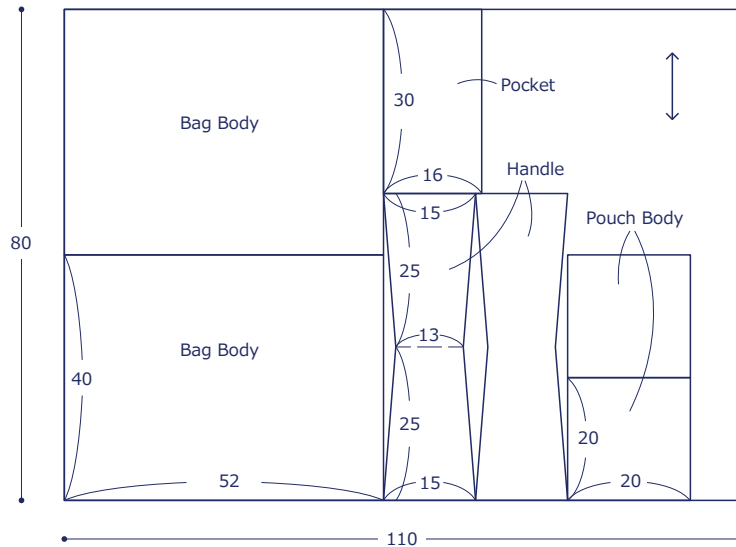
## Materials

- Fabric: 110cm wide x 80cm
- Cord: 0.3cm diameter x 60cm
- Cord Stopper One piece

Fabric shown for this sample: EGX-7712-1B

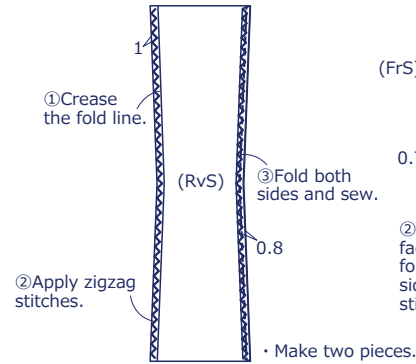
## Pattern and Cutting Layout

Unit: cm All raw edge

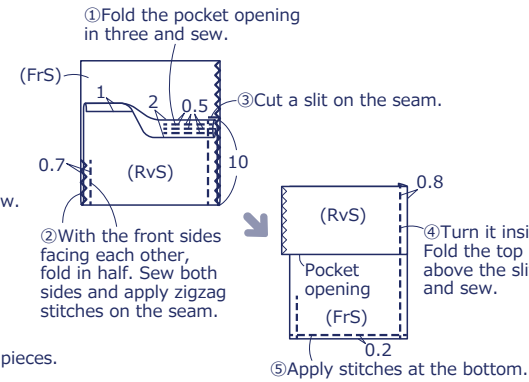


## Instructions Front Side - (FrS), Reverse Side (RvS)

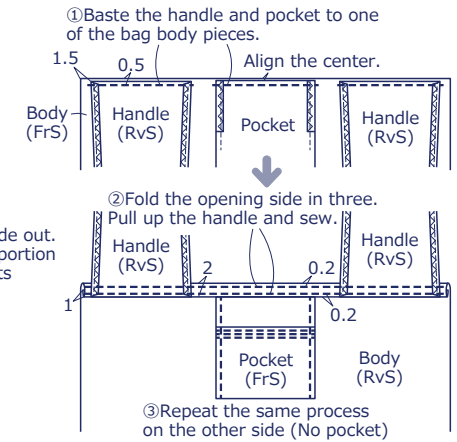
### 1. Make the handle



### 2. Make the pocket



### 3. Attach the handle and pocket



### 4. Finish the bag

