



# Pouch With A Folded Flap and Handle

Design & work: Yui Tamaki

Size: 21cm (l) 23cm (w)

have fun with KOKKA fabric! produced by KOKKA

[kokka-fabric.com](http://kokka-fabric.com)

The craft projects and works featured in kokka-fabric.com are strictly for personal use and enjoyment. Please refrain from selling handmade items using the same exact design (including the pieces made in different fabrics) featured in kokka-fabric.com.

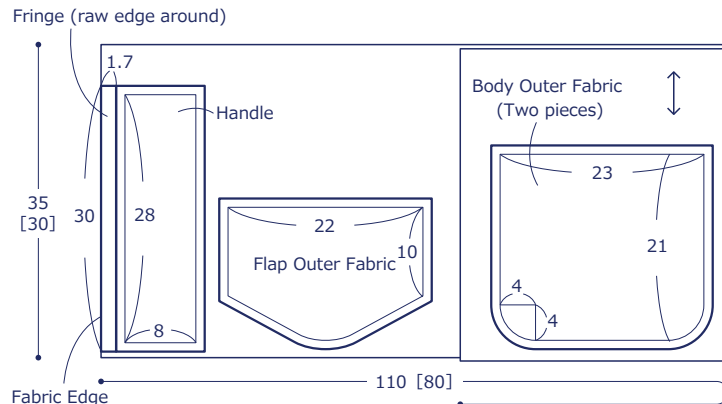
## Materials

- Fabric (Outer Fabric, Handle, Fringe): 110cm wide x 35cm
- Fabric (Lining Fabric): 80cm x 30cm

Fabric shown for this sample: (Outer Fabric, Handle, Fringe) EKX-98050-50C

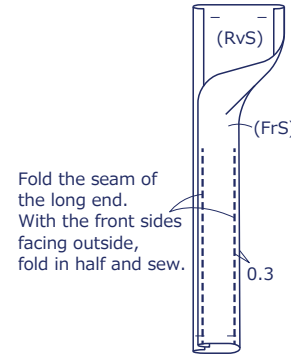
## Pattern and Cutting Layout

Unit: cm Add 1cm seam unless otherwise specified [ ] measurement for lining fabric  
Cut the body lining fabric and flap lining fabric in a same way (No handle and fringe)  
Trace the curve for the flap from the pattern

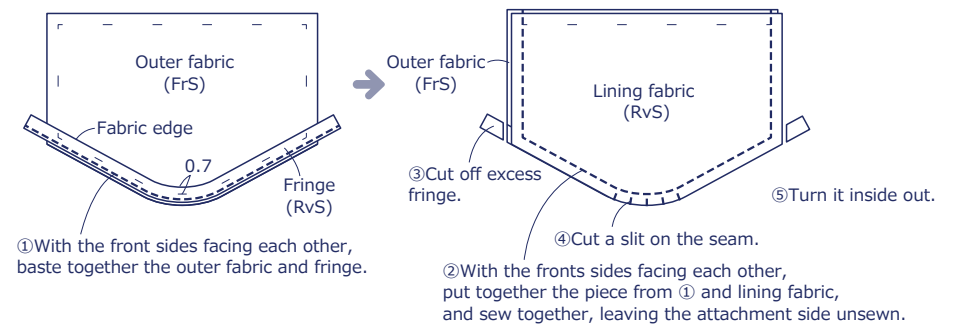


## Instructions Front Side - (FrS), Reverse Side (RvS)

### 1. Make the handle



### 2. Make the flap



### 3. Finish the pouch

