



Two-Way Handle Tote Bag

Design & work: Satomi Takei

Size: about 39cm (l) about 36cm (w)

have fun with KOKKA fabric! produced by KOKKA

kokka-fabric.com

The craft projects and works featured in kokka-fabric.com are strictly for personal use and enjoyment. Please refrain from selling handmade items using the same exact design (including the pieces made in different fabrics) featured in kokka-fabric.com.

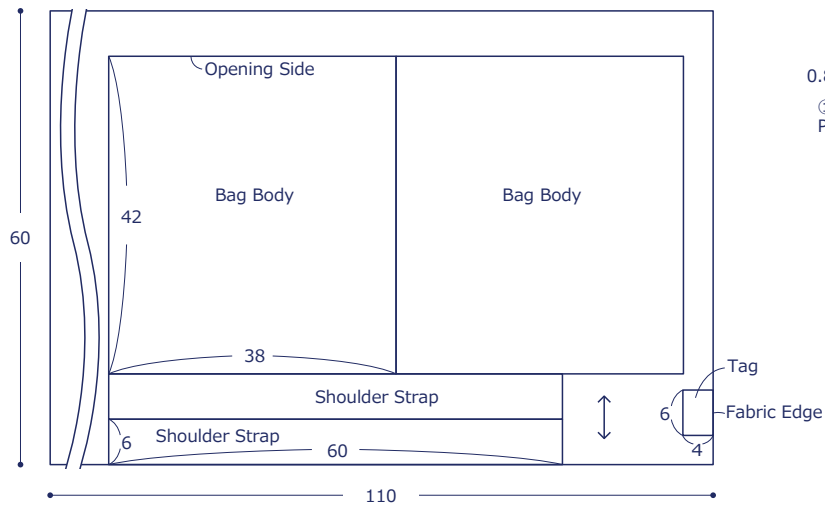
Materials

- Fabric: 110cm wide x 60cm
- Tape: 3mm wide x 73cm
- Rivet: 0.6cm diameter x Four pairs

Fabric shown for this sample: EKX-1600-2A
Tape shown for this sample: ech-1000-1A

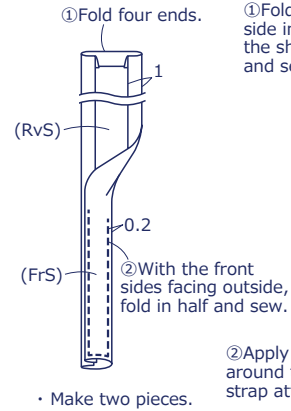
Pattern and Cutting Layout

Unit: cm All raw edge

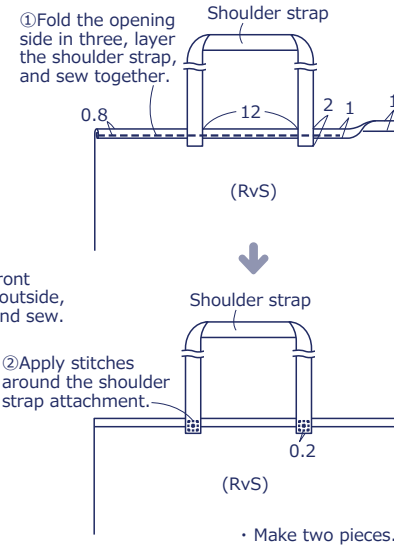


Instructions Front Side - (FrS), Reverse Side (RvS)

1. Make the shoulder strap



2. Make the bag body



3. Finish the bag

