



Tote Bag with Drawstring Closure

Design & work: Kokka Fabric

Size: about 25cm (l)
 about 28cm (w)
 about 18cm (d)
 (excludes handles)

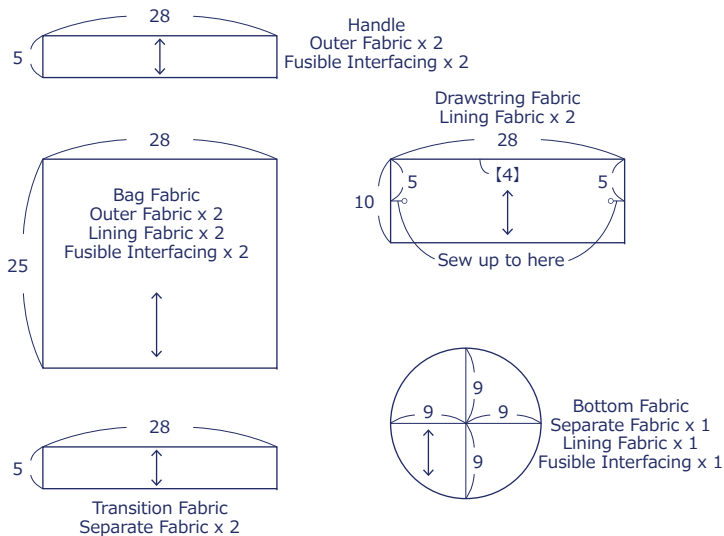
Materials

- Outer Fabric: about 110cm wide x 30cm
- Lining Fabric: about 110cm wide x 40cm
- Separate Fabric: about 110cm wide x 30cm
- Fusible Interfacing (heavy weight): about 110cm wide x 30cm
- Round Cord (medium): 140cm

Fabric shown for this sample: YPA-51010-2A

Pattern

Unit: cm [] : Seam allowance
 Add 1cm seam allowance when cutting the fabric unless specified otherwise



※Adhere fusible interfacing on the back of the handle, outer bag fabric, bottom outer fabric (separate fabric)

have fun with KOKKA fabric! produced by KOKKA

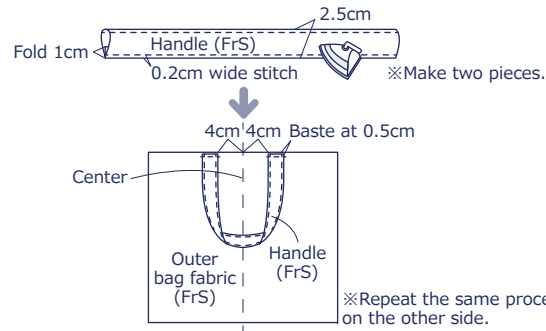
kokka-fabric.com

The craft projects and works featured in kokka-fabric.com are strictly for personal use and enjoyment. Please refrain from selling handmade items using the same exact design (including the pieces made in different fabrics) featured in kokka-fabric.com.

Instructions Front Side - (FrS), Reverse Side (RvS)

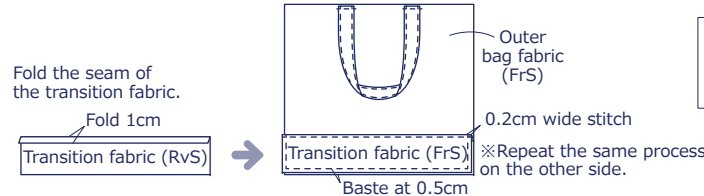
1. Make the handle and baste it to the outer bag fabric

Fold it to the finished measurement and apply stitches.

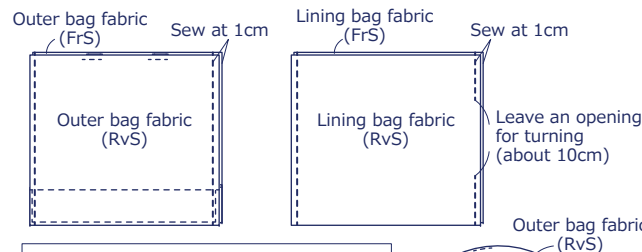


2. Attach the transition fabric to the outer bag fabric

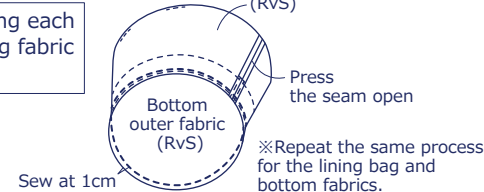
Layer it over outer bag fabric and apply stitches.



3. With the front sides facing each other, put together the bag fabrics and sew the sides

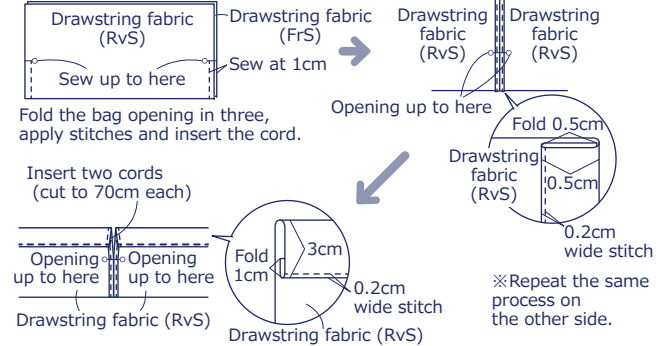


4. With the front sides facing each other, sew together the bag fabric and bottom fabric



5. Make the drawstring fabric

With the front sides facing each other, sew the side of the drawstring fabric up to where the opening stops.



6. With the front sides facing each other, sew together the outer bag fabric and lining bag fabric at the top opening, with a drawstring fabric in between



7. Turn the bag inside out, and apply stitches around the opening to finish

