



Zip-Top Tote Bag

have fun with KOKKA fabric! produced by KOKKA

kokka-fabric.com

The craft projects and works featured in kokka-fabric.com are strictly for personal use and enjoyment. Please refrain from selling handmade items using the same exact design (including the pieces made in different fabrics) featured in kokka-fabric.com.

Design & work: Satomi Takei

Size: 31.5cm (l) 40cm (w) 12cm (d)

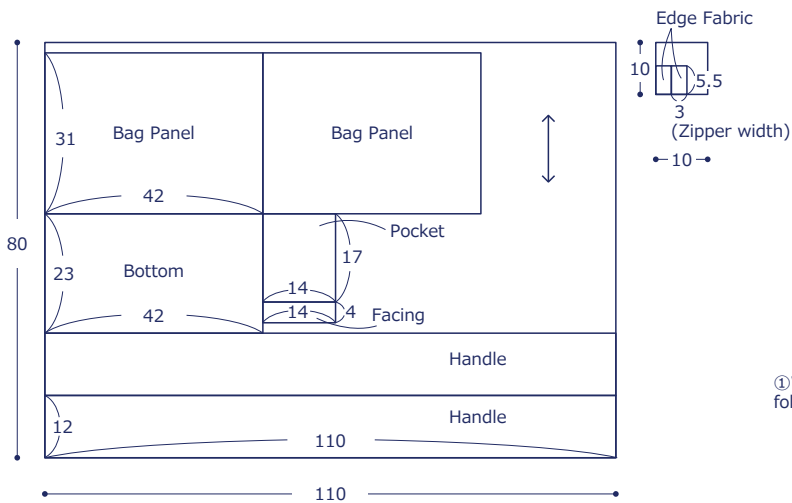
Materials

- Fabric: (Panel, Bottom, Handle, Pocket, Facing): 110cm wide × 80cm
- Fabric: (Edge Fabric (Artificial Leather)): 10cm × 10cm
- Double Slide Zipper: 50cm (one piece)
- Piping Tape: 14cm
- Rivet: 0.6cm diameter x Four pairs

Fabric shown for this sample: YPA-51030-1B

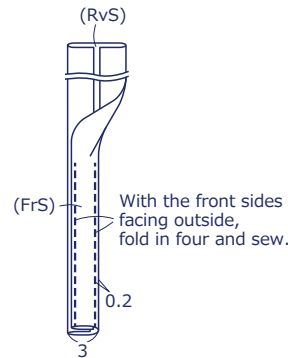
Pattern and Cutting Layout

Unit: cm All raw edge



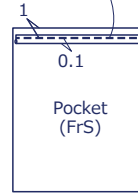
Instructions Front Side - (FrS), Reverse Side (RvS)

1. Make the handle

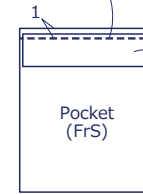


2. Make the pocket

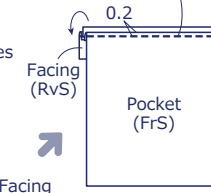
① Baste the piping tape to the pocket.



② With the front sides facing each other, sew together the pocket and facing.

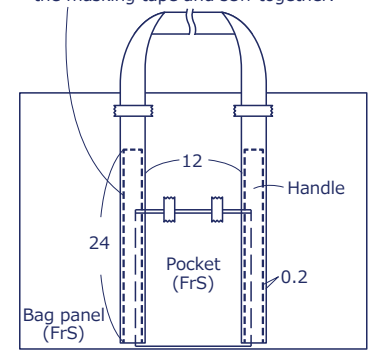


③ Turn the facing over to the reverse side and apply stitches.

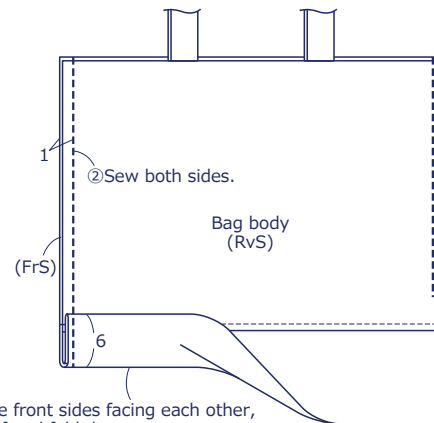


3. Make the bag body

① Layer the pocket and handle over the bag panel. Baste them with the masking tape and sew together.

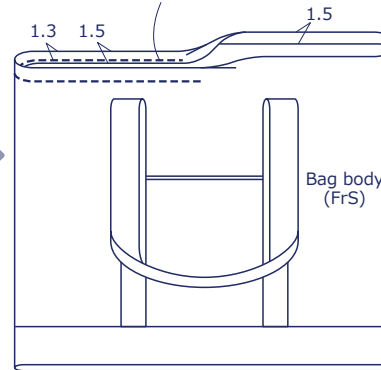


4. Finish the bag

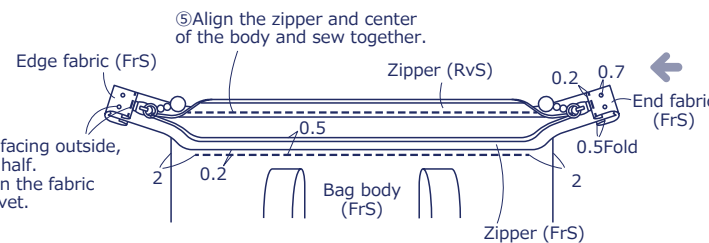


① With the front sides facing each other, fold in half and fold the gusset.

③ Fold the top opening in three and sew all the way around.



④ With the front sides facing outside, fold the edge fabric in half. Place zipper in between the fabric and sew. Attach the rivet.



② Attach the handle to the other panel following the same process as in ①, and take off the masking tape.

