



Tape Handle Tote

Design & work: Kokka Fabric

Size: about 30cm (l)
 about 49cm (w)
 about 24cm (gusset)
 (excludes handles)

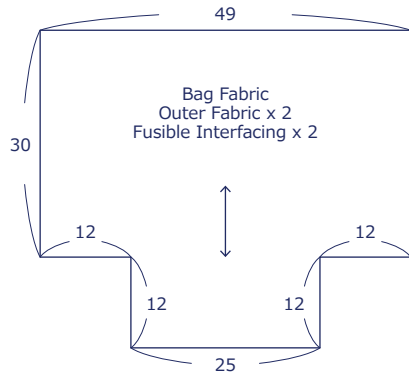
Materials

- Outer Fabric: about 110cm wide x 50cm
- Fusible Interfacing: about 105cm wide x 50cm
 (RakuHari Presion Interfacing used)
- Tape (Wide): about 45mm wide x 64cm
- Tape (Narrow): about 30mm wide x 100cm

Fabric shown for this sample: YGA-71000-2C

Pattern

Unit: cm
 Add 1cm seam allowance when cutting the fabric.



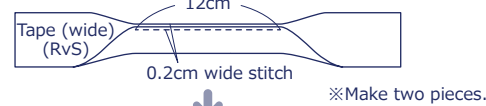
※Adhere fusible interfacing on the back of the outer fabrics.

Instructions

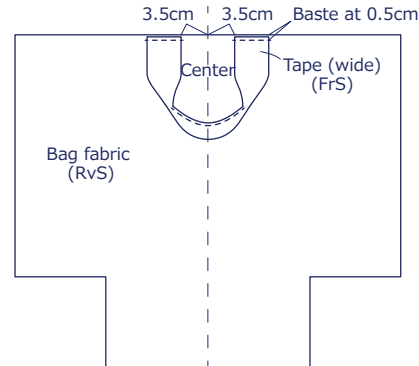
Front Side - (FrS), Reverse Side (RvS)

1. Baste the tape (wide) to the bag fabric

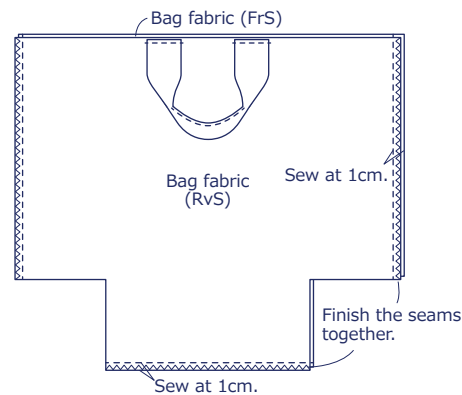
Fold the wide tape (cut to 32cm) in half and apply stitches.



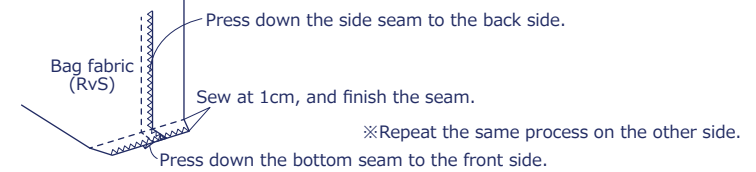
Baste the tape (wide) to the bag fabric.



2. With the front sides facing each other, sew together the bag fabrics at the sides and bottom



3. With the front sides facing each other, sew the gusset of the bag fabric



4. Attach the tape (narrow) to the bag opening to finish

