



Big Tote Bag

Design & work: Kokka Fabric

Size: about 33.5cm (l)
about 60cm (w)
about 25cm (gusset)
(excludes handles)

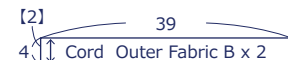
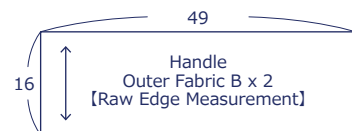
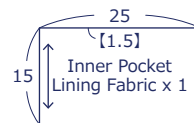
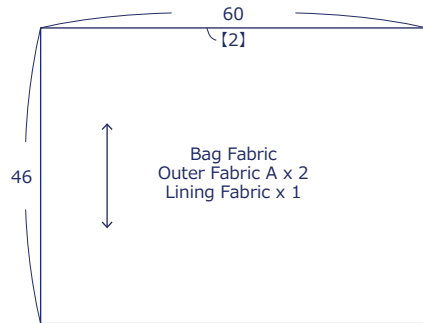
Materials

- Outer Fabric A: about 110cm wide x 110cm
- Outer Fabric B: about 110cm wide x 30cm
- Lining Fabric: about 110cm wide x 110cm
- Magnetic Hook: One pair (about 15mm wide)

Fabric shown for this sample: YPA-51000-2B

Pattern

Unit: cm [] : Seam allowance
When cutting the fabric, add 1cm seam allowance unless specified otherwise.



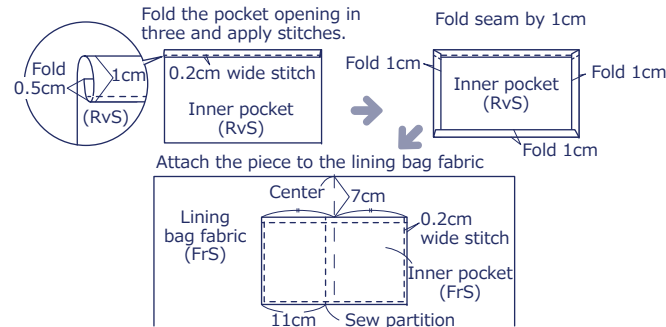
have fun with KOKKA fabric! produced by KOKKA

kokka-fabric.com

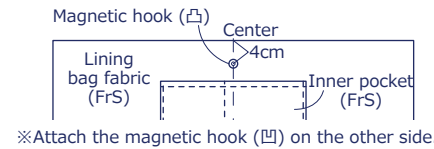
The craft projects and works featured in kokka-fabric.com are strictly for personal use and enjoyment. Please refrain from selling handmade items using the same exact design (including the pieces made in different fabrics) featured in kokka-fabric.com.

Instructions Front Side - (FrS), Reverse Side (RvS)

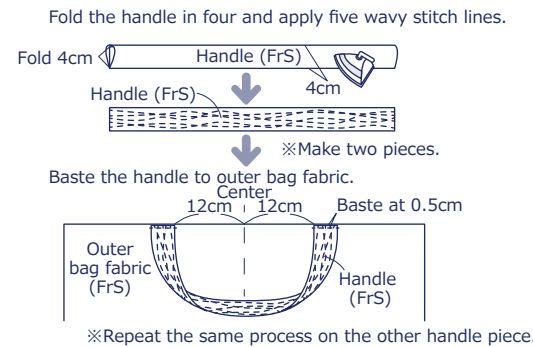
1. Make the inner pocket and attach it to the lining bag fabric



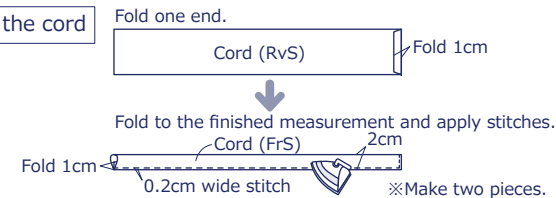
2. Attach the magnetic hook to the lining bag fabric



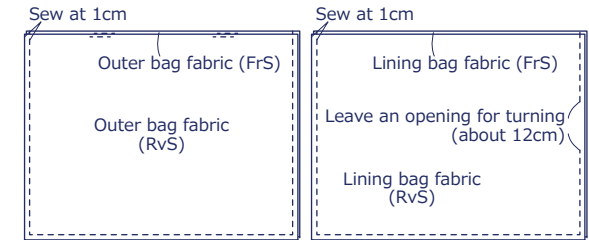
3. Make the handle and baste it to the outer bag fabric



4. Make the cord

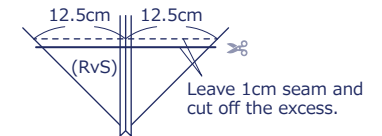


5. With the front sides facing each other, sew together the bag fabrics at the side and bottom

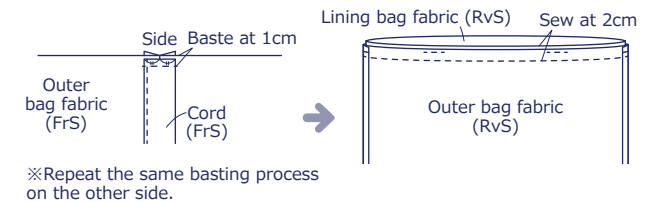


6. Sew the gusset

Fold the bottom corner into a triangle and sew the gusset.



7. Baste the cord to the outer bag fabric. With the front sides facing each other, sew together the bag fabrics at the top opening



8. Turn it inside out. Apply stitches around the bag opening to finish

