



Two-Way Bag

Design & work: Yui Tamaki

Size: 32cm (l)
 35cm (w)(at opening)
 28cm (bottom)
 10cm (gusset)

Materials

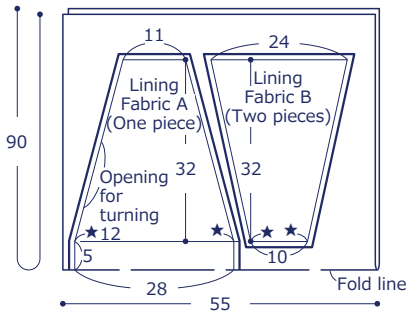
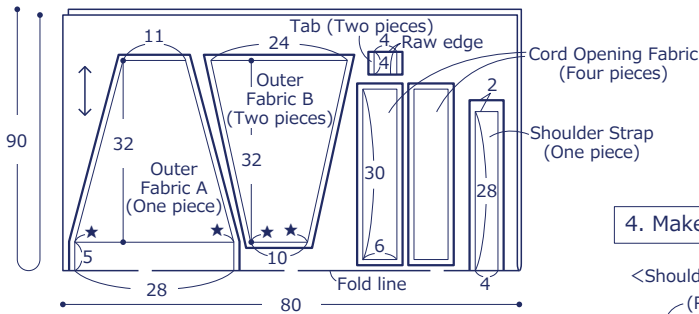
- Fabric: (Outer Fabric, Cord Opening Fabric, Shoulder Strap, Tab) 80cm x 90cm (Lining Fabric (Sheeting)): 55cm x 90cm
- Rope: 1.2cm diameter x 2.6m
- Swivel Hook, D Ring: 2cm inner diameter x two pieces each

Fabric shown for this sample:

(Outer Fabric, Cord Opening Fabric, Shoulder Strap, Tab)YK-21000-2D

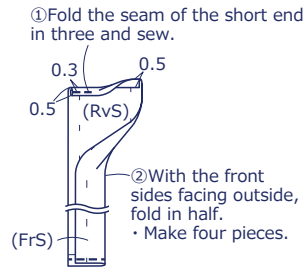
Pattern and Cutting Layout

Unit: cm Add 1cm seam allowance unless specified otherwise.

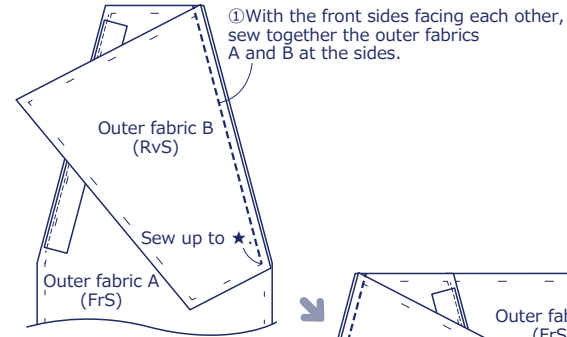


Instructions Front Side - (FrS), Reverse Side (RvS)

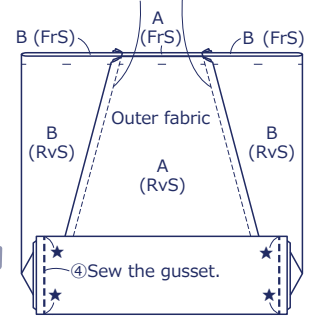
1. Make the cord opening fabric



2. Make the outer bag



③With the front sides facing each other, fold the piece from ② in half. Attach B to the other side of the outer fabric A, following the same steps as in ① and ②.

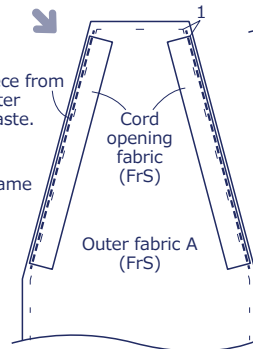


3. Make the lining bag

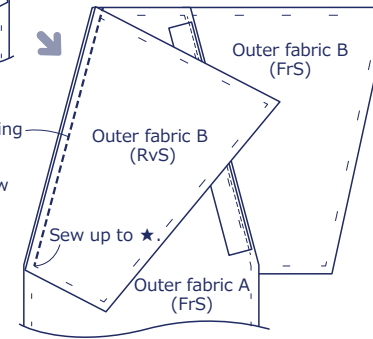
Using lining fabric A and B, follow the same steps in ② (leave an opening for turning).

③Place the piece from ② over the outer fabric A and baste.

• Repeat the same process on the other side.

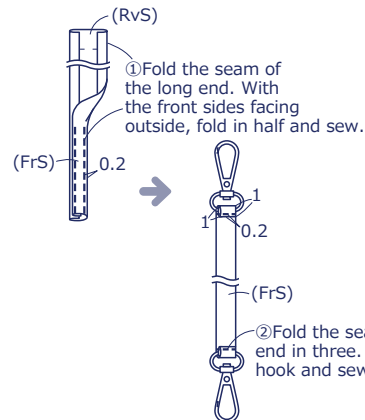


②With the front sides facing each other, put together the other outer fabric B and piece from ① and sew at the sides.



4. Make the shoulder strap and tab

<Shoulder Strap>



<Tab>

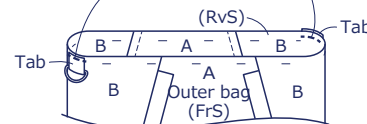
①Repeat the same process for the shoulder strap step ①.



②Insert the D ring. With the front sides facing outside, fold in half and baste.

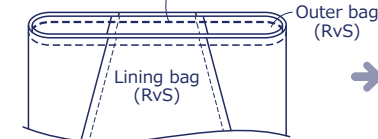
• Make two pieces.

③Turn the outer bag inside out. Baste the tab in the center of the opening side of the outer fabric B.

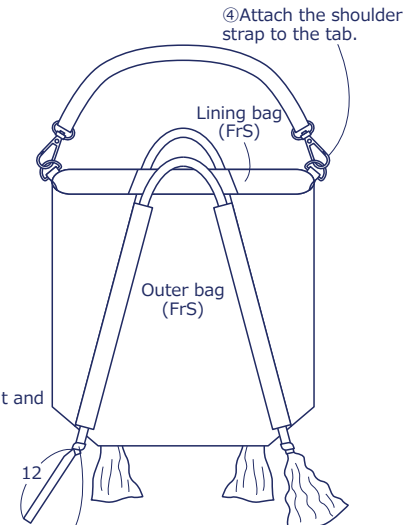


5. Finish the bag

①With the front sides facing each other, sew together the outer bag and lining bag at the top opening.



②Turn it inside out and close the opening for turning.



③Insert the rope (130cm each) through the rope opening fabric. Make an end knot and untangle the end.