



Drawstring Bag

Design & work: Yui Tamaki

Size: about 28cm (l) 20cm (w)

have fun with KOKKA fabric! produced by KOKKA

kokka-fabric.com

The craft projects and works featured in kokka-fabric.com are strictly for personal use and enjoyment. Please refrain from selling handmade items using the same exact design (including the pieces made in different fabrics) featured in kokka-fabric.com.

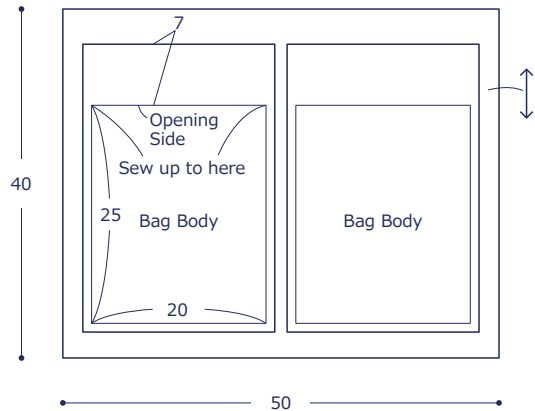
Materials

- Fabric: 50cm x 40cm
- Cord: 0.3cm diameter x 108cm

Fabric shown for this sample: YKA-26040-1B

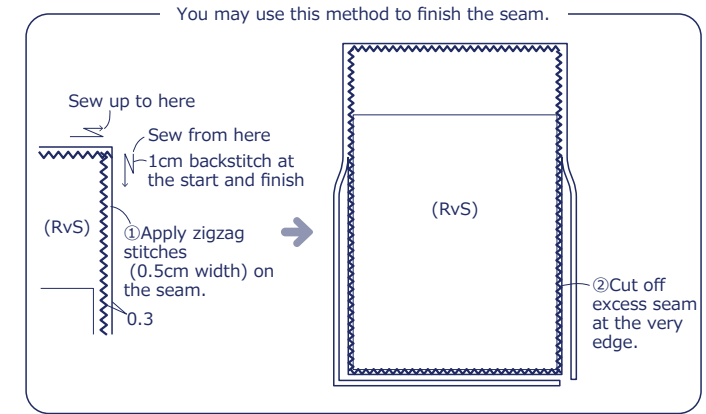
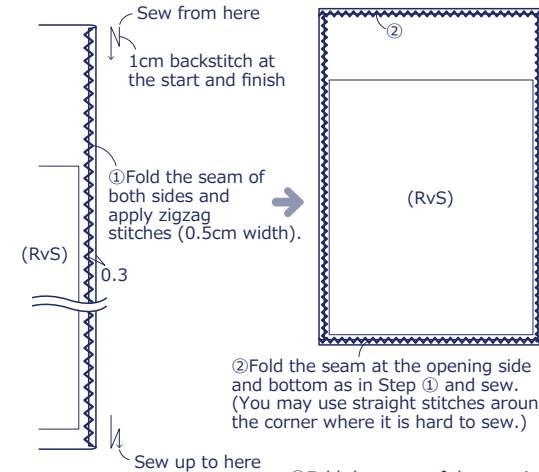
Pattern and Cutting Layout

Unit: cm Add 1cm seam allowance unless specified otherwise

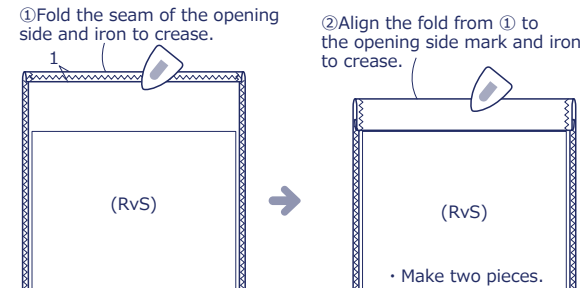


Instructions Front Side - (FrS), Reverse Side (RvS)

1. Finish the seam

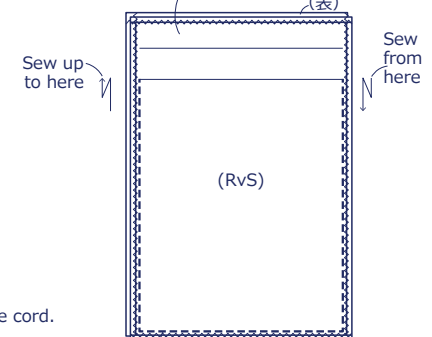


2. Crease the seam on the opening side



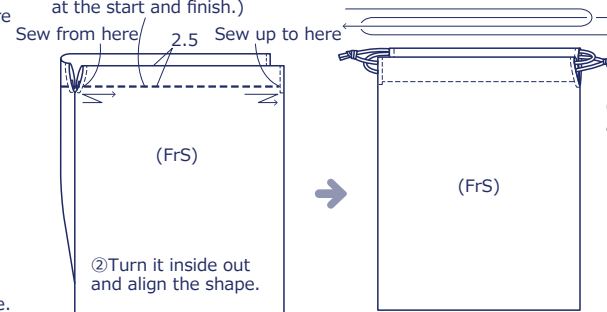
3. Sew together the main body

① Unfold the fold from 2, and with the front sides facing each other, put together the pieces.



5. Finish the bag

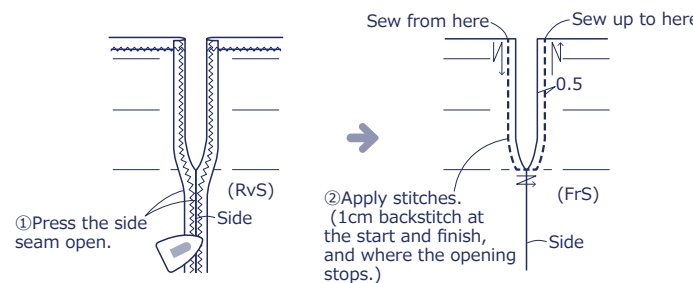
① Fold the seam on the opening side again. Apply stitches from the front side. (1cm backstitch at the start and finish.)



② Sew from one end of the opening to the other end. (1cm backstitch at the start and finish)

③ Insert the cord (54cm each) alternately and tie the ends.

4. Make the cord opening



• Repeat the same process on the other side.