



# Kid's Backpack

design & work: Kokka Fabric

Size: about 20cm (l)  
about 18cm (w)  
about 10cm (d)  
(Excludes handles)

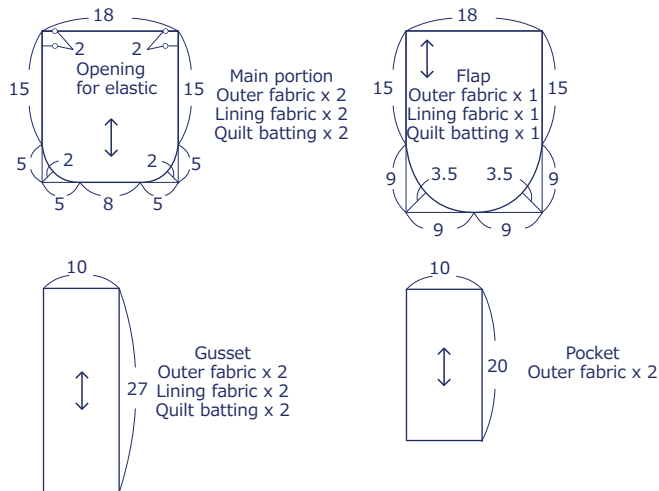
## Materials

- Outer Fabric: about 110cm wide x 40cm
- Lining Fabric: about 110cm wide x 40cm
- Quilt Batting: about 90cm wide x 40cm
- Velcro: 2.5cm wide x 40cm
- Handle Tape: 2.5cm wide x 130cm
- Rectangle Ring: 2.5cm wide x 2 pieces
- Slide Adjuster: 2.5cm wide x 2 pieces
- Elastic: about 1cm wide x 16cm

Fabric shown for this sample: YKA-26050-1A

## Pattern

Unit: cm. Add 1cm seam when cutting the fabric.



※ Baste the quilt batting on the back of the main portion outer fabric, flap outer fabric and gusset outer fabric.

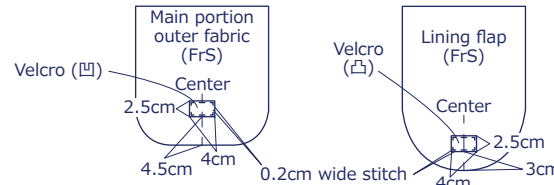
have fun with KOKKA fabric! produced by KOKKA

kokka-fabric.com

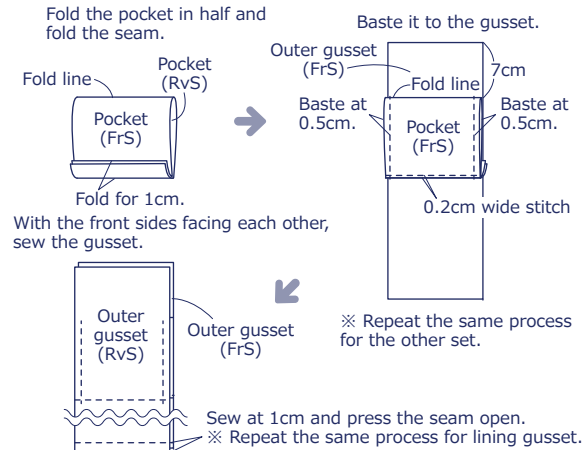
The craft projects and works featured in kokka-fabric.com are strictly for personal use and enjoyment. Please refrain from selling handmade items using the same exact design (including the pieces made in different fabrics) featured in kokka-fabric.com.

## Instructions Front Side - (FrS), Reverse Side (RvS)

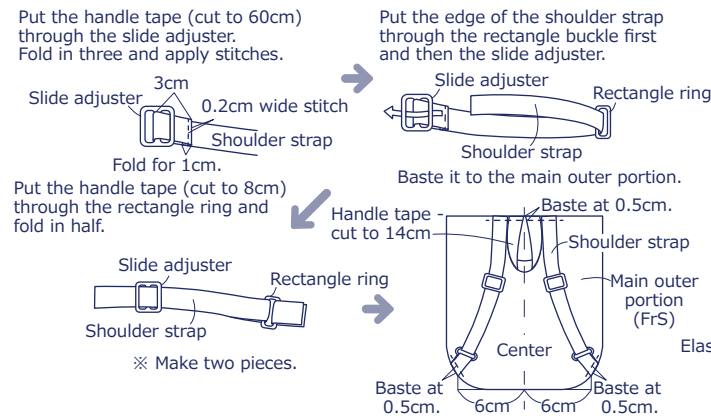
1. Attach Velcro on the main portion outer fabric and flap lining fabric



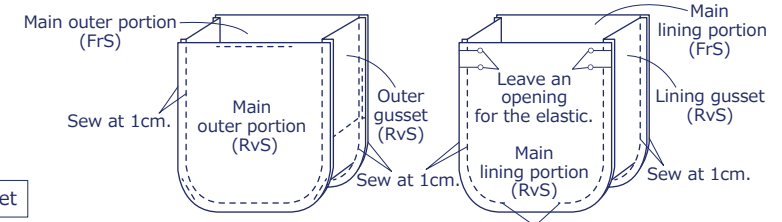
2. Make the pocket. Baste it to the gusset and prepare the gusset



3. Make the shoulder strap and handle. Baste them to the main portion outer fabric

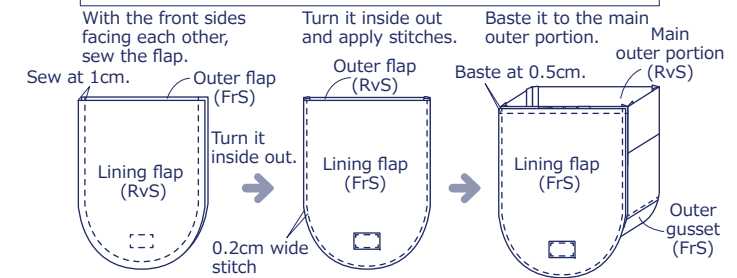


4. With the front sides facing each other, sew together the main outer portion and outer gusset. Also sew together the main lining portion and lining gusset.

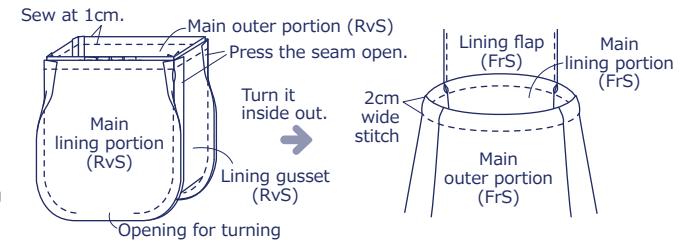


Leave an opening for turning (about 10cm).

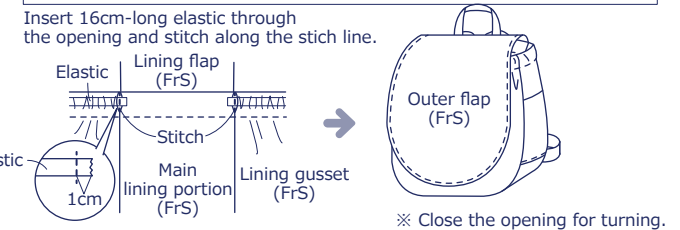
5. Make the flap cover and baste it to the main outer portion



6. With the front sides facing each other, sew together the main outer portion and main lining portion at the top opening. Turn it inside out and apply stitches around the opening.



7. Insert the elastic through the opening. Sew to secure and finish



※ Close the opening for turning.