



Tuck Sleeve Blouse

Design & work: Yoko Kato

Size: 58cm (Body width)
55.5cm (Length at back center)

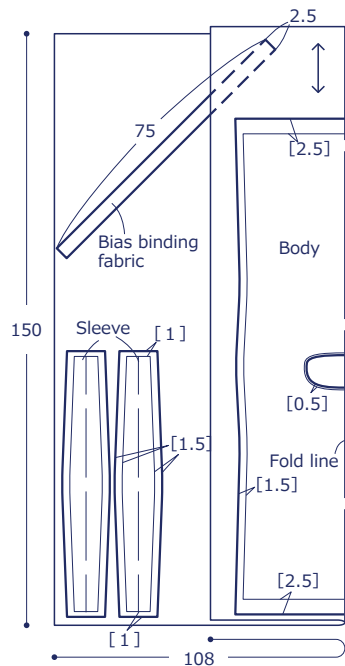
Materials

□ Fabric: 108cm wide x 1.5m

Fabric shown for this sample: NF-3100-101C

Cutting Layout

Unit: cm. [] denotes seam allowance. Raw edge unless specified otherwise.
(Refer to the second sheet for pattern making and patterns)

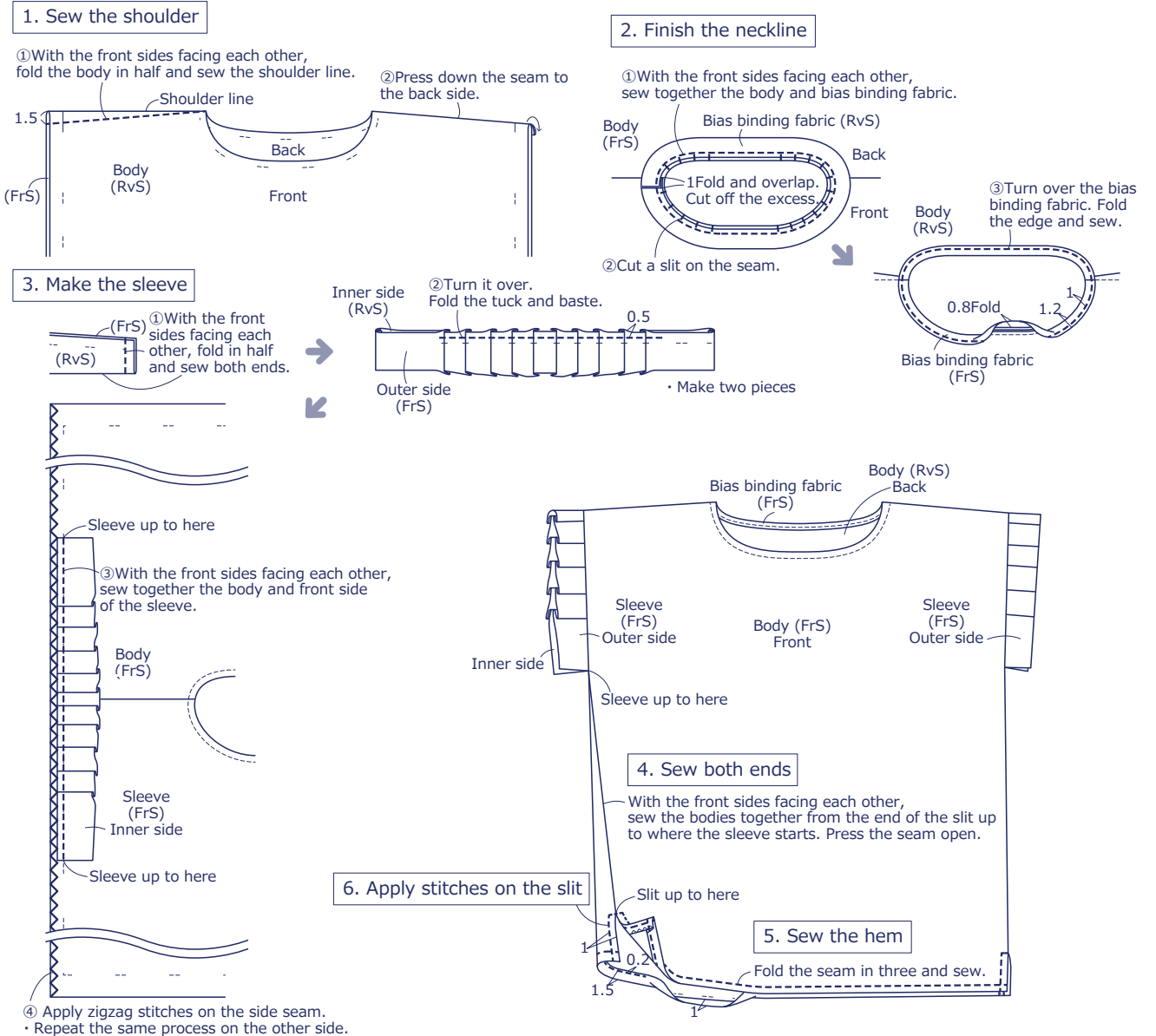


have fun with KOKKA fabric! produced by KOKKA

kokka-fabric.com

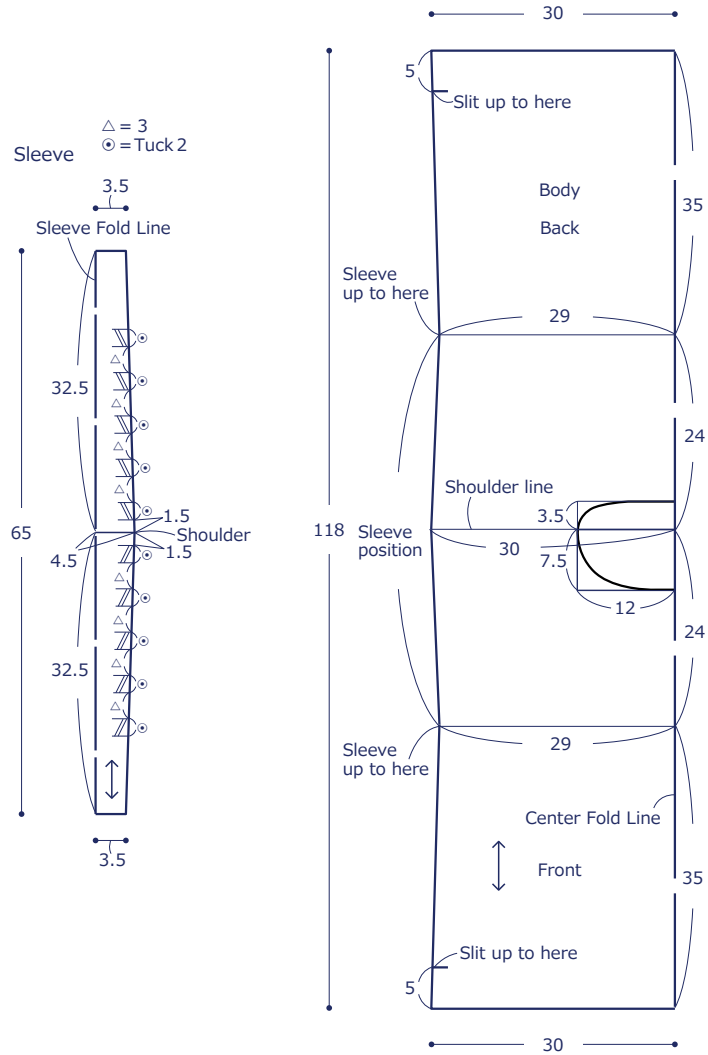
The craft projects and works featured in kokka-fabric.com are strictly for personal use and enjoyment. Please refrain from selling handmade items using the same exact design (including the pieces made in different fabrics) featured in kokka-fabric.com.

Instructions Front Side - (FrS), Reverse Side (RvS)



Pattern Making

Use the pattern for the neckline curve.



Full Scale Pattern

Neckline

