



Drawstring Bag with Ruffles

Design & work: Satomi Takei

Size: about 30cm (l) about 29cm (w)
about 12cm (gusset)

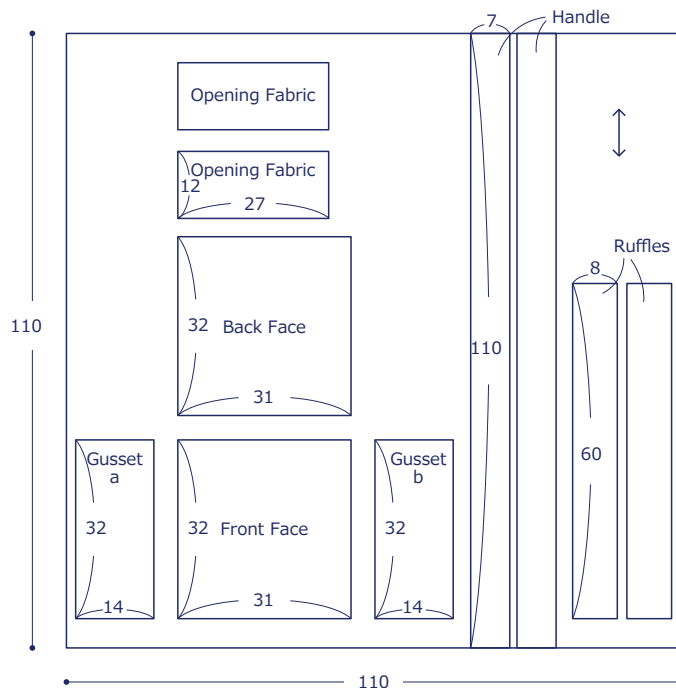
Materials

- Fabric: 110cm wide x 110cm
- Cord: 0.4cm diameter x 1.6m

Fabric shown for this sample: EKX-98090-92B

Pattern and Cutting Layout

Unit: cm All raw edge



① With the front sides facing each other, sew together the front face and back face with the gussets. Apply zigzag stitches on the edge (avoiding the ruffles.)

have fun with KOKKA fabric! produced by KOKKA

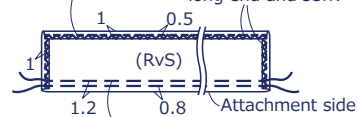
kokka-fabric.com

The craft projects and works featured in kokka-fabric.com are strictly for personal use and enjoyment. Please refrain from selling handmade items using the same exact design (including the pieces made in different fabrics) featured in kokka-fabric.com.

Instructions Front Side - (FrS), Reverse Side (RvS)

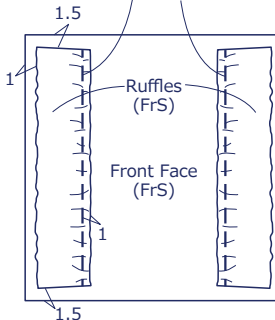
1. Make the ruffles

- ① Apply zigzag stitches on the edge of the fabrics except for the attachment side of the ruffles.
- ② Fold the ends of the piece from ①, short end first then long end and sew.

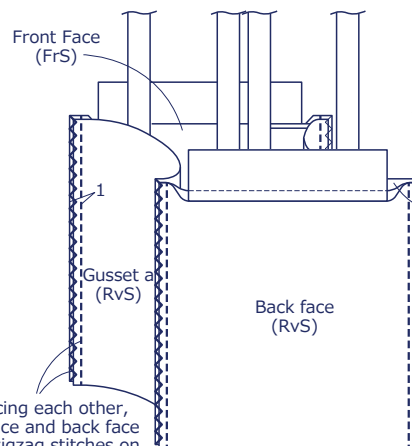


- ③ Apply two rough stitches on the attachment side.
 - Make two pieces.

- ④ Place ruffles on the front face. Pull the thread from ③ and baste the piece. Pull out the thread from ③.

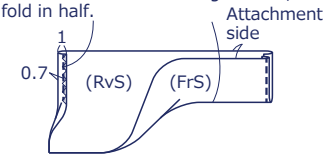


4. Finish the bag

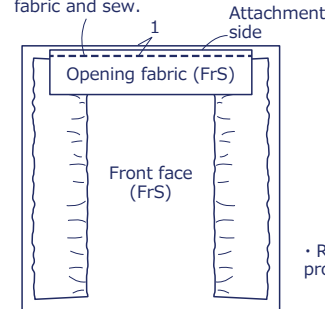


2. Make the opening fabric

- ① Apply zigzag stitches at both sides of the top opening fabric, fold and sew. With the front sides facing outside, fold in half.



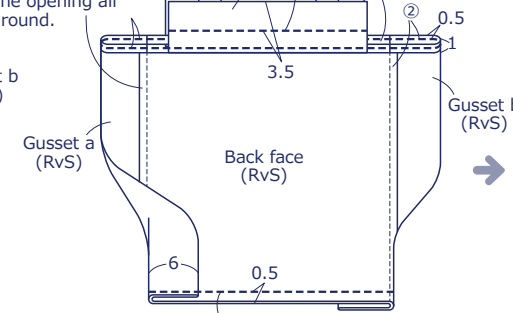
- ② Layer the opening fabric and sew.



- Repeat the same process on the back face. (No ruffles)

- ③ Sew the opening for the cord insert on the opening fabric.
 - Repeat the same process on the other piece.

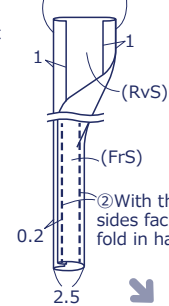
- ② Press down the seam from ① to the gusset side. Fold the opening side of the gusset and sew the opening all the way around.



- ④ Fold gusset a to the back face and gusset b to the front face, and sew the bottom.

3. Make the handle

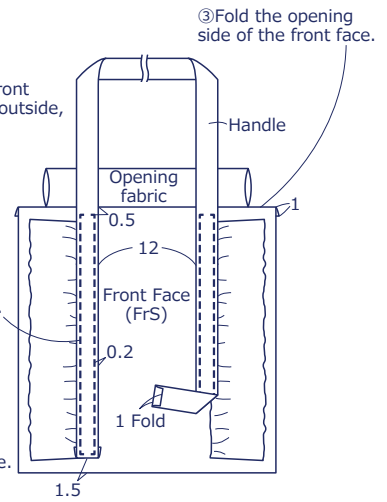
- ① Fold the long end.



- ② With the front sides facing outside, fold in half.

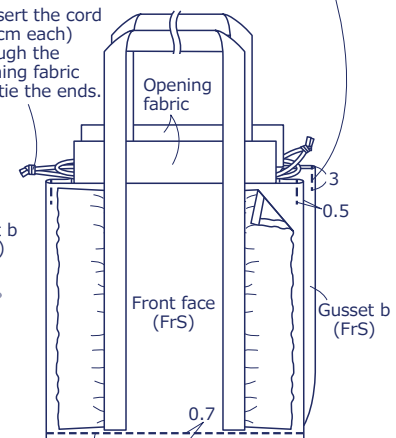
- ④ Sew on the handle.

- Repeat the same process on the back face.



- ⑥ Pinch the gusset seam on the front and back faces and sew.
 - Repeat the process on all four corners.

- ⑦ Insert the cord (80cm each) through the opening fabric and tie the ends.



- ⑤ Turn it inside out and sew the bottom.