



Two-Way Vertical Bag

Design & work: Yui Tamaki

Size: 96cm (l) 25.5cm (w)

have fun with KOKKA fabric! produced by KOKKA

kokka-fabric.com

The craft projects and works featured in kokka-fabric.com are strictly for personal use and enjoyment. Please refrain from selling handmade items using the same exact design (including the pieces made in different fabrics) featured in kokka-fabric.com.

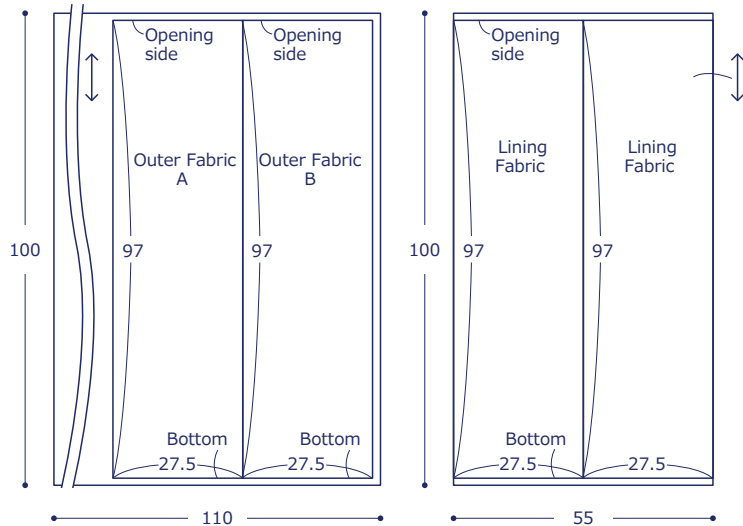
Materials

- Fabric (Outer Fabric): 110cm wide x 1m
(Lining Fabric(Sheeting)): 55cm x 1m
- Artificial Leather Tape: 1cm wide x 80cm
- Cord: 0.3cm diameter x 65cm
- Zipper: 20cm long x two pieces
- Rivet: 0.9cm diameter x six pairs.
- Plsnap Button: 1cm diameter x one pair

Fabric shown for this sample: (Outer Fabric) YG-79020-1

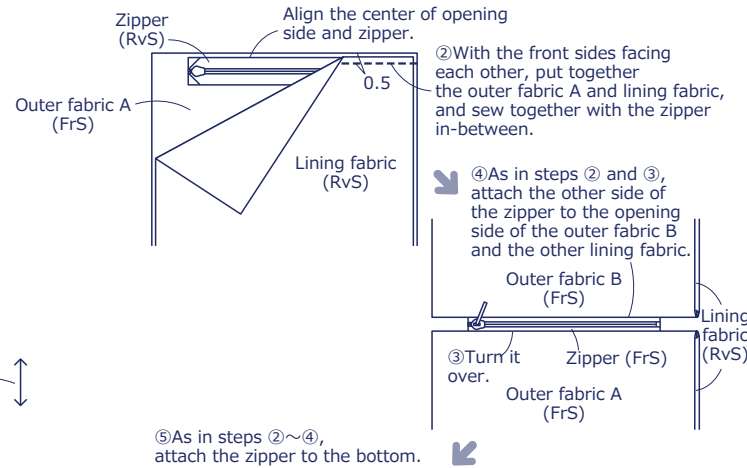
Pattern & Cutting Layout

Unit: cm All raw edge



1. Attach the zipper

- ① Treat zipper ends.
- ② Fold as shown.
- ③ Sew to secure.
- ④ Repeat the same process on the bottom stopper side. Repeat the same process on the other zipper piece.



2. Finish the bag

- ① With the front sides facing each other, sew together the outer fabrics and lining fabrics at the sides respectively, leaving and opening for turning on the side. Keep the zipper open.
- ② Turn it inside out and close the opening for turning.
- ③ Attach the tape (20cm each) with the rivet at the opening side and bottom.
- ④ Attach the tape (40cm) with the rivet.

