



# Oval Bag

Design & work: Mioko Sugino

Size: 20cm (l) 22.5cm (w) 11cm (gusset)

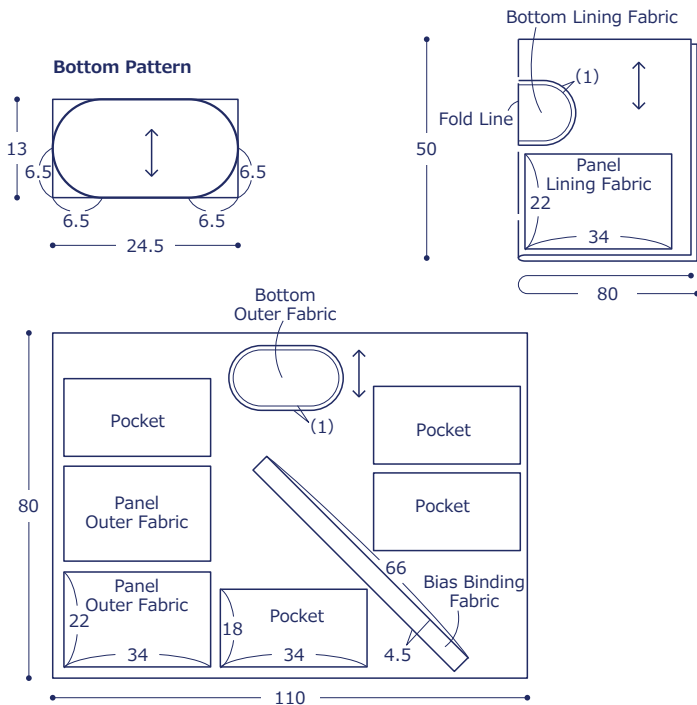
## Materials

- Fabric (Outer Fabric, Pocket, Bias Binding Strip): 110cm wide x 80cm (Lining Fabric): 80cm x 50cm
- Bag Tape: 2.5cm wide x 36cm
- Plasnapp Button: 1.3cm diameter x One pair

Fabric shown for this sample: YP-59010-1A

## Pattern and Cutting Layout

Unit: cm ( ) denotes seam allowance, All raw edge unless specified otherwise.



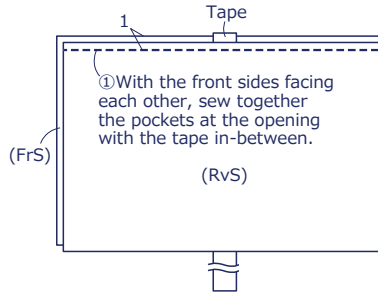
have fun with KOKKA fabric! produced by KOKKA

[kokka-fabric.com](http://kokka-fabric.com)

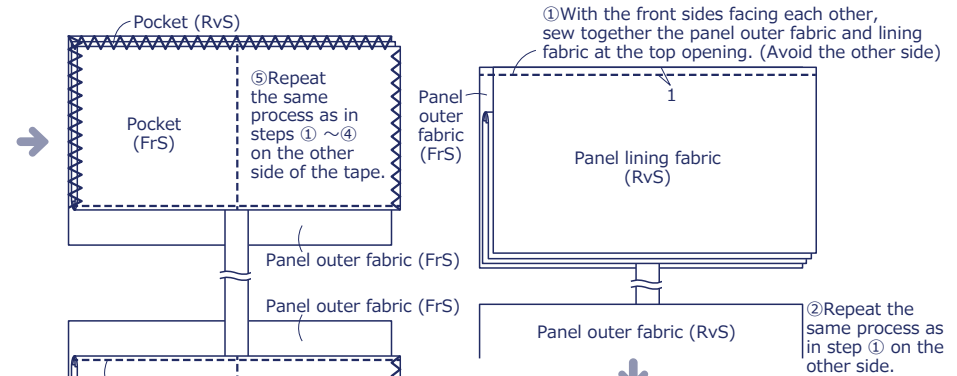
The craft projects and works featured in kokka-fabric.com are strictly for personal use and enjoyment. Please refrain from selling handmade items using the same exact design (including the pieces made in different fabrics) featured in kokka-fabric.com.

## Instructions Front Side - (FrS), Reverse Side (RvS)

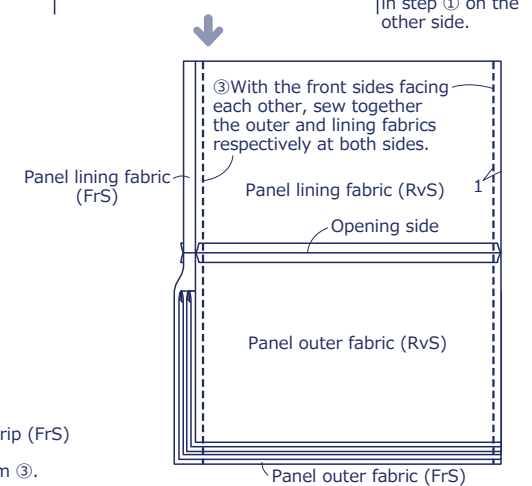
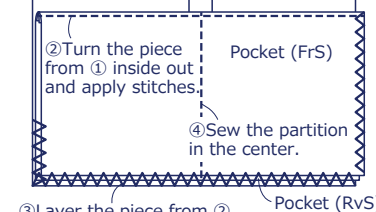
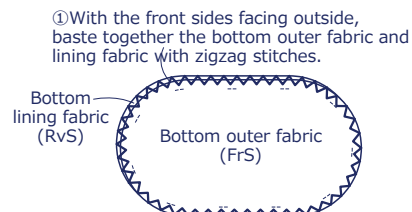
### 1. Make the panel outer fabric



### 2. Make the panel



### 3. Make the bottom



### 4. Finish the bag

