



Carry-On Bag

have fun with KOKKA fabric! produced by KOKKA

kokka-fabric.com

The craft projects and works featured in kokka-fabric.com are strictly for personal use and enjoyment. Please refrain from selling handmade items using the same exact design (including the pieces made in different fabrics) featured in kokka-fabric.com.

Design & work: Satomi Takei

Size: about 31cm (l) about 29cm (w)
about 15cm (gusset)

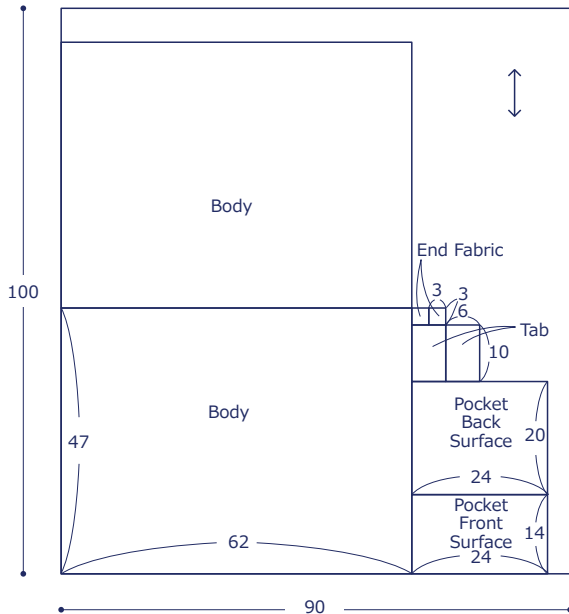
Materials

- Fabric: 90cm x 1m
- Tape: 3cm wide x 2.8m
- Zipper: 20cm x One piece
- Zipper with Double Sliders x One piece

Fabric shown for this sample: YKA-29001-1E

Pattern and Cutting Layout

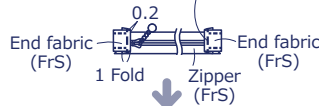
Unit: cm All raw edge



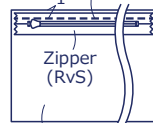
Instructions Front Side - (FrS), Reverse Side (RvS)

1. Make the pocket

① Layer the end fabric over the edge of the zipper stop and sew together.

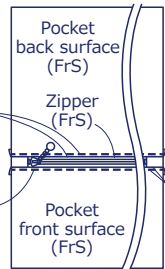


② With the front sides facing each other, sew together the piece from ① and pocket front surface.



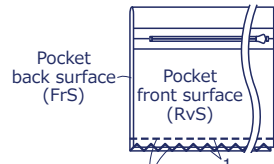
Pocket front surface (FrS)

③ Turn over the zipper and apply stitches.

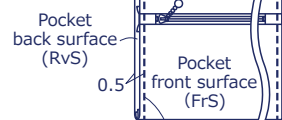


④ As in steps ② & ③, sew together the pocket back surface to the other side of the zipper.

⑤ With the front sides facing each other, fold in half and sew the bottom. Apply zigzag stitches on the seam.

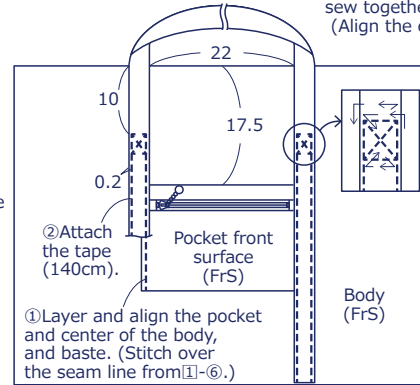


⑥ Turn it inside out and baste both sides.



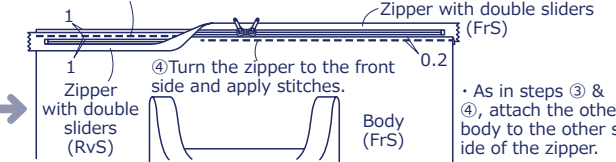
⑦ With the front sides facing each other, fold in half and sew the bottom. Apply zigzag stitches on the seam.

2. Make the body

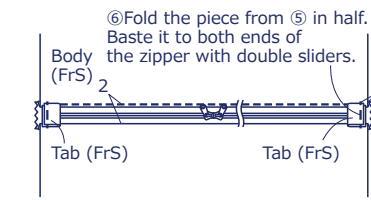


• Repeat the same process as in step ② on the other body.

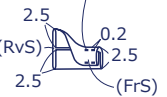
③ With the front sides facing each other, sew together the body and zipper with double sliders. (Align the center of the zipper and body, and avoid the tape.)



• As in steps ③ & ④, attach the other body to the other side of the zipper.

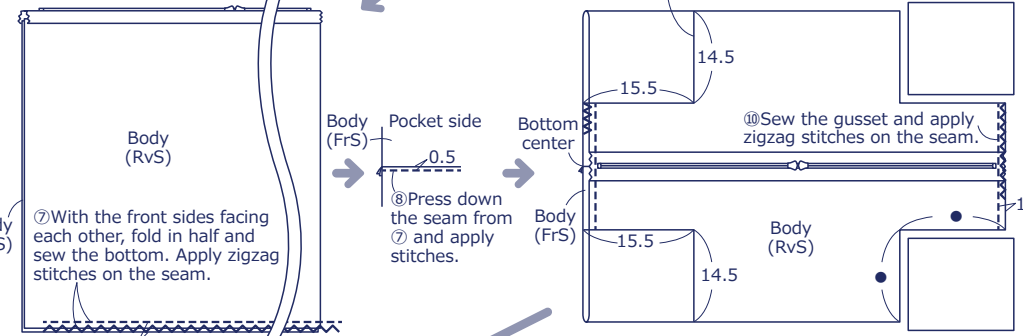


⑤ With the front sides facing outside, fold in four and sew.



• Make two pieces.

⑨ With the front sides facing each other, align the bottom center and opening side and cut four corners.

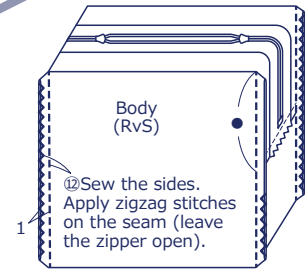


⑦ With the front sides facing each other, fold in half and sew the bottom. Apply zigzag stitches on the seam.



⑧ Press down the seam from ⑦ and apply stitches.

⑪ Press down the seam from ⑩ to the bottom side and apply stitches. • Repeat the same process on the other side.



⑬ Turn it inside out and align the shape.

