



Balloon-Shaped Pants

have fun with KOKKA fabric! produced by KOKKA

kokka-fabric.com

The craft projects and works featured in kokka-fabric.com are strictly for personal use and enjoyment. Please refrain from selling handmade items using the same exact design (including the pieces made in different fabrics) featured in kokka-fabric.com.

Design & Work: Yoko Kato

Size: Hip Size M 116cm Size L 132 cm
Length Size M 92cm Size L 94cm

Materials

- Fabric: 100cm x 2.1m
- Elastic Tape: 3cm wide – Size M 1.4m Size L 1.5m

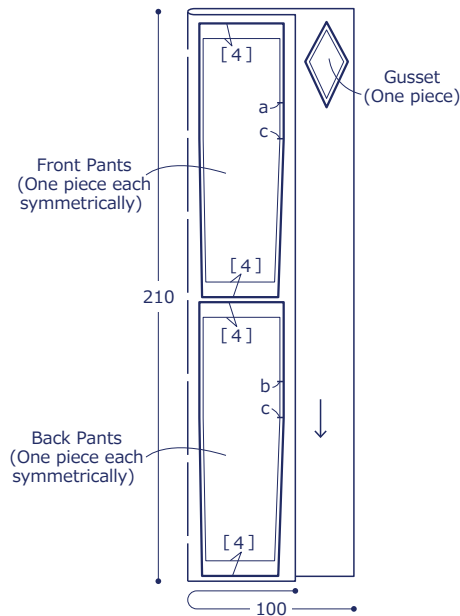
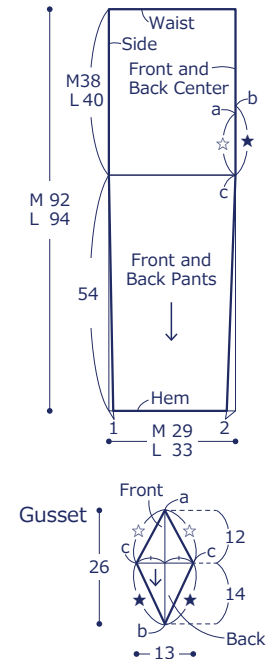
Fabric shown for this sample: EKX-98080-80D

Pattern

Unit: cm
Same measurement for M&L unless specified otherwise.

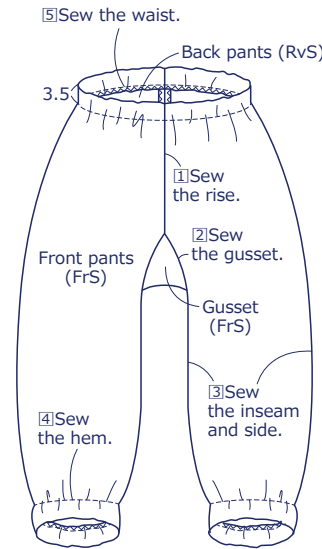
Cutting Layout

[] denotes seam allowance. Add 1cm unless specified otherwise.
Apply zigzag stitches on the seam.

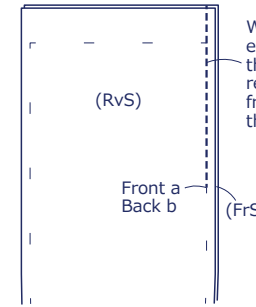


Instructions

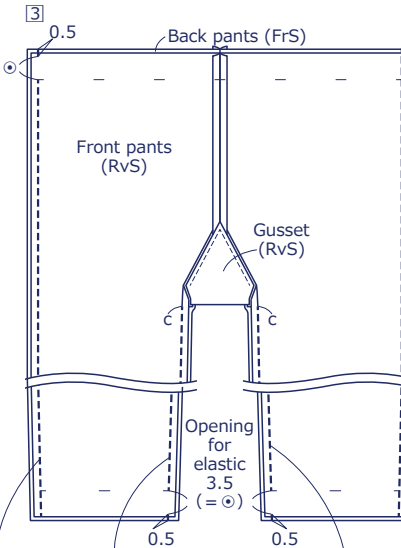
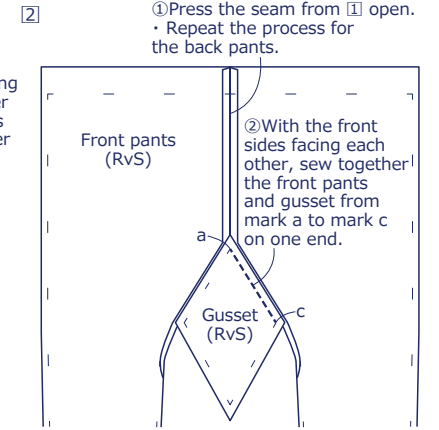
Front Side - (FrS), Reverse Side (RvS)



① (Instructions for zigzag stitches are omitted.)

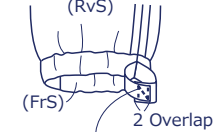
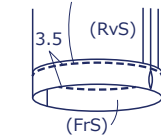


With the front sides facing each other, sew together the front and back pants respectively at the center from the waist to where the mark stops.



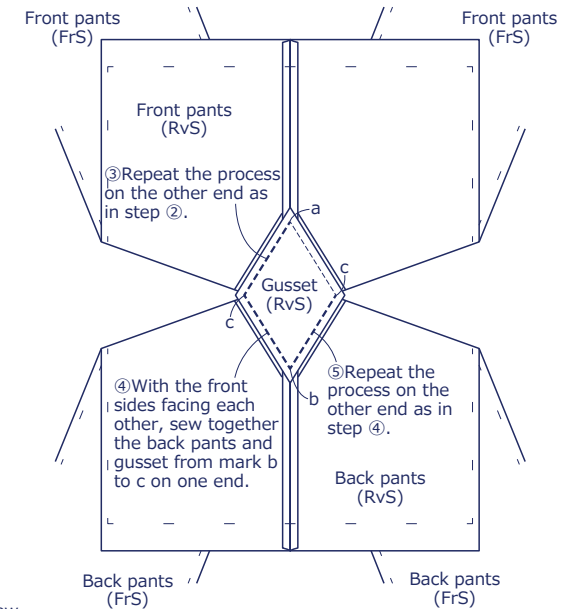
④

① Fold the seam of the hem and sew.



② Insert the elastic tape (37cm) and sew.
• Repeat the same process on the other side.

⑤ As in step ④, fold the seam of the waist and sew. Insert the elastic tape (M 64cm, L 69cm) and sew.



② Sew both sides (leave an opening for turning on the left side).
③ Press the seam from ① and ② open.

① With the front sides facing each other, sew together the inseam of the front and back pants (from c to hem), leaving an opening for the elastic.