

Two-Way Tote Bag

have fun with KOKKA fabric! produced by KOKKA

kokka-fabric.com

The craft projects and works featured in kokka-fabric.com are strictly for personal use and enjoyment. Please refrain from selling handmade items using the same exact design (including the pieces made in different fabrics) featured in kokka-fabric.com.



Design & work: Mioko Sugino

Size: 21cm (l) 30cm (w) 12cm (gusset)

Materials

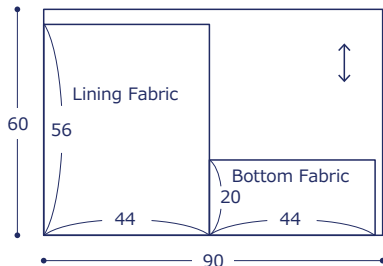
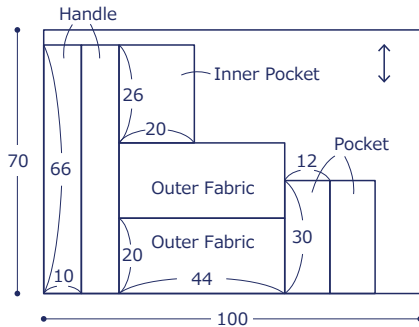
- Fabric (Outer Fabric, Pocket, Handle): 100cm x 70cm
(Lining Fabric, Bottom Fabric): 90cm x 60cm
- Plasnap Snap Button: 1.3cm diameter x Three pairs

Fabric shown for this sample:

(Outer Fabric, Pocket, Handle) EKX-1140-1P
(Lining Fabric, Bottom Fabric) YKA-530-1L

Pattern and Cutting Layout

Unit: cm All raw edge

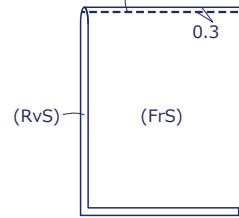


Instructions

Front Side - (FrS), Reverse Side (RvS)

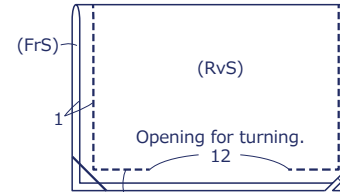
1. Make the pocket

With the front sides facing outside, fold in half and apply stitches along the pocket opening side.



• Make two pieces.

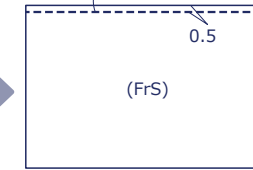
2. Make the inner pocket



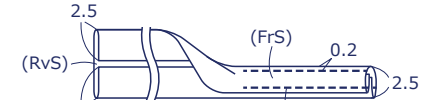
① With the front sides facing each other, fold in half and sew three sides, leaving an opening for turning.

② Cut off corner seam.

③ Turn it inside out and apply stitches along the pocket opening.



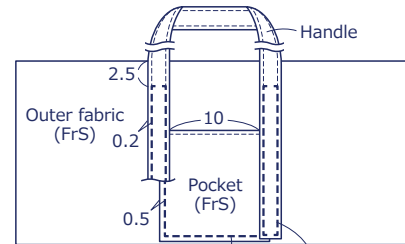
3. Make the handle



With the front sides facing outside, fold in four and sew.

• Make two pieces.

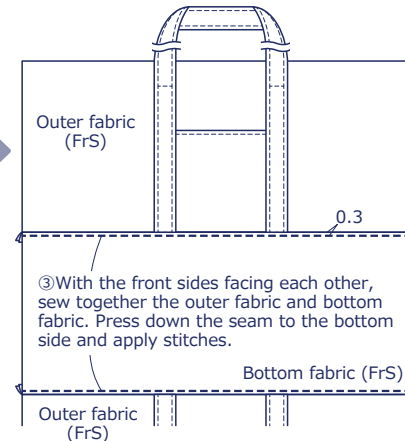
4. Make the outer fabric



① Align and layer the center of the outer fabric and pocket and baste.

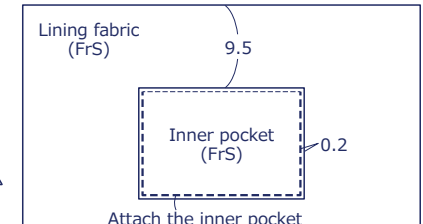
• Make two pieces.

② Layer the handle and sew along the handle stitch lines.



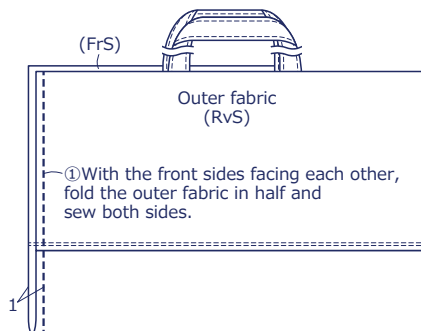
③ With the front sides facing each other, sew together the outer fabric and bottom fabric. Press down the seam to the bottom side and apply stitches.

5. Make the lining fabric

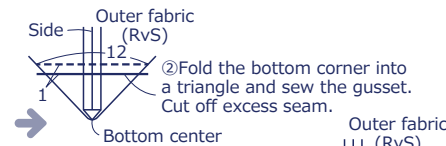


Attach the inner pocket to the lining fabric.

6. Make the outer bag



① With the front sides facing each other, fold the outer fabric in half and sew both sides.



② Fold the bottom corner into a triangle and sew the gusset. Cut off excess seam.

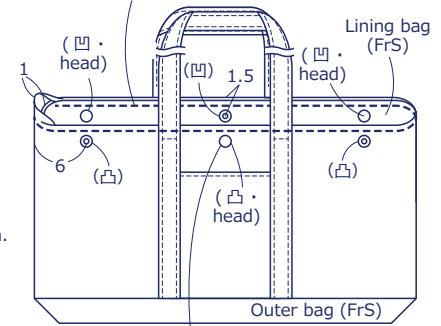
③ Apply zigzag stitches on the seam. Repeat the same process on the other side.

7. Make the lining bag

Repeat Step ⑥ with the lining fabric.

8. Finish the bag

① Fold the top opening of both outer and lining bags. With the front sides facing outside, sew together the outer and lining bags (avoid the handle).



② Attach the Plasnap snap button.