



# One Handle Bag

Design & work: Yui Tamaki

Size: 35cm (l)  
35cm (w - at opening) 25cm (bottom)  
10cm (gusset)

have fun with KOKKA fabric! produced by KOKKA

[kokka-fabric.com](http://kokka-fabric.com)

The craft projects and works featured in kokka-fabric.com are strictly for personal use and enjoyment. Please refrain from selling handmade items using the same exact design (including the pieces made in different fabrics) featured in kokka-fabric.com.

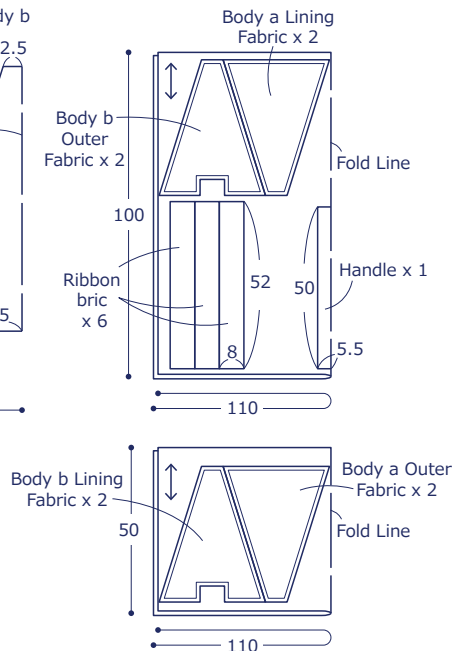
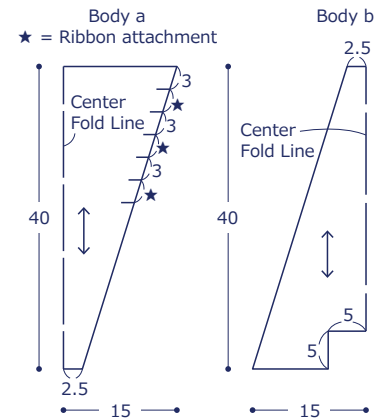
## Materials

- Fabric (Body a Lining Fabric, Body b Outer Fabric, Handle, Ribbon Fabric): 110cm wide x 1m
- Fabric (Body a Outer Fabric, Body b Lining Fabric): 110cm wide x 50cm

Fabric shown for this sample: EKX-98110-11A

## Pattern

Unit: cm



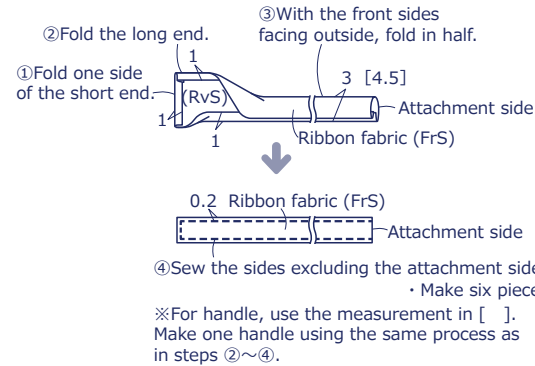
## Cutting Layout

Seam Allowance: 1cm  
Handle and Ribbon - Raw edge

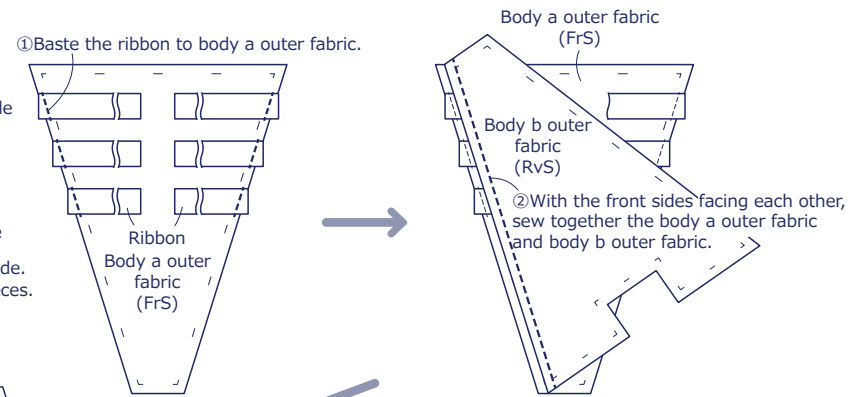
## Instructions

Front Side - (FrS), Reverse Side (RvS)

### 1. Make the ribbon and handle

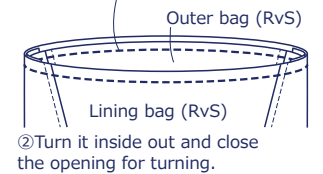


### 2. Make the outer bag

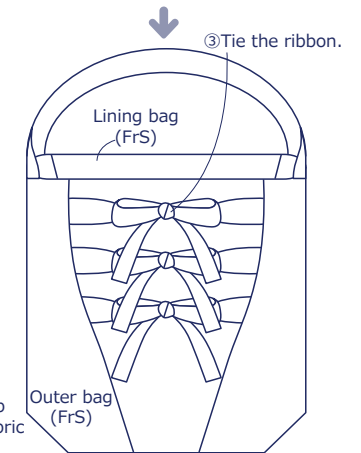


### 4. Finish the bag

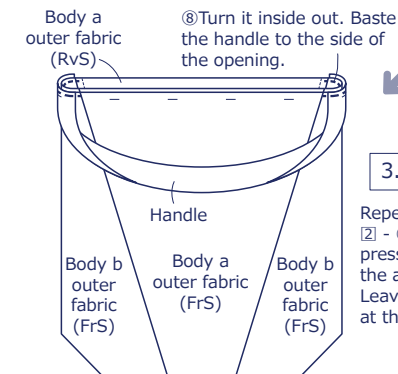
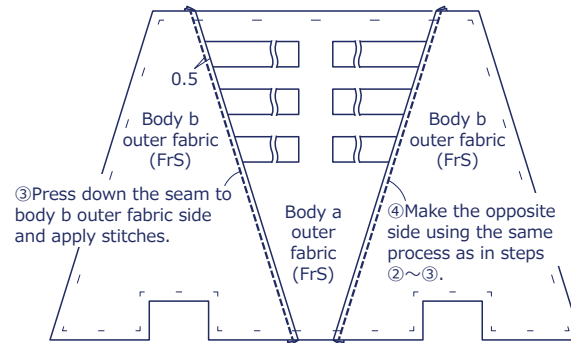
1. With the front sides facing each other, sew together the outer and lining bags all the way around at the top opening.



2. Turn it inside out and close the opening for turning.

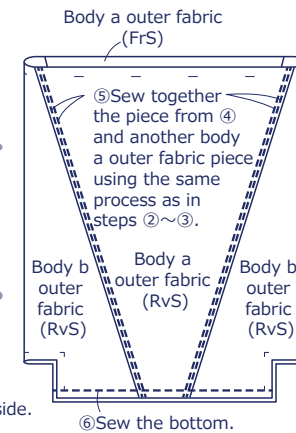
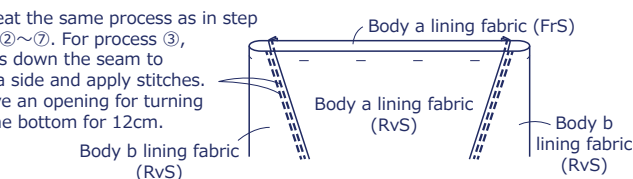


3. Tie the ribbon.



### 3. Make the lining bag

Repeat the same process as in step 2 - 2~7. For process 3, press down the seam to the side and apply stitches. Leave an opening for turning at the bottom for 12cm.



6. Sew the bottom.

7. Sew the gusset. Repeat the same process on the other side.