



# Apron For Adults

Design & Work: Yoko Kato

Size: Front Center 87cm

have fun with KOKKA fabric! produced by KOKKA

[kokka-fabric.com](http://kokka-fabric.com)

The craft projects and works featured in kokka-fabric.com are strictly for personal use and enjoyment. Please refrain from selling handmade items using the same exact design (including the pieces made in different fabrics) featured in kokka-fabric.com.

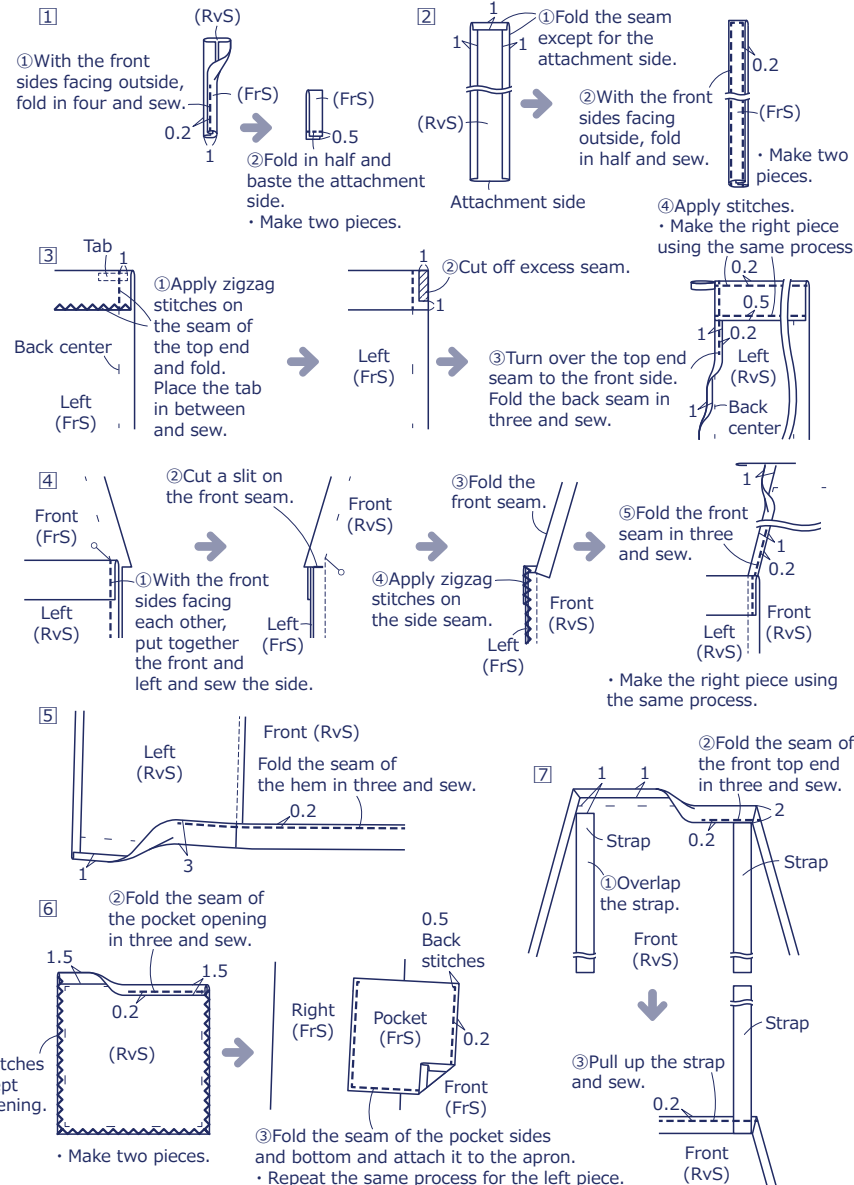
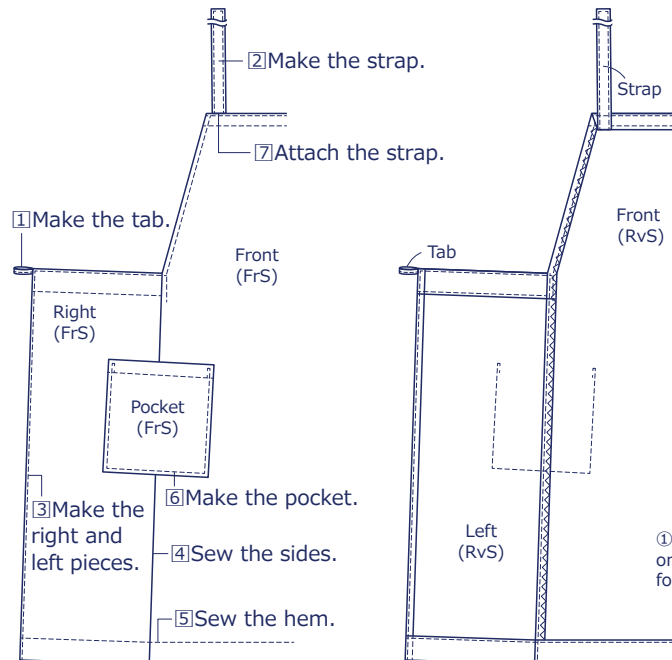
## Materials

□ Fabric: 95cm x 1.5m

Fabric shown for this sample: YGA-79050-1C

## Instructions

Front Side - (FrS), Reverse Side - (RvS)



## Pattern and Cutting Layout

Unit: cm.  
Numbers in ( ) denote seam allowance.  
Add 1cm seam unless specified otherwise.

